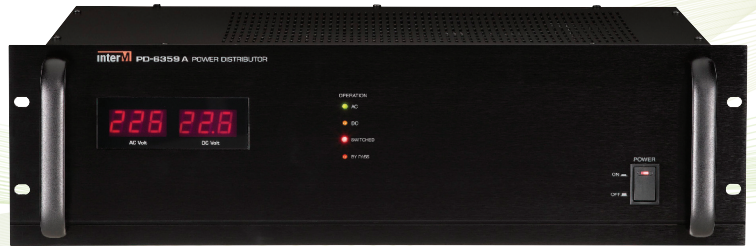


Power Distributor

# PD-6359A



# Power Distributor

## PD-6359A



The PD-6359A is a device that supplies power and controls Inter-M 6000 system. By using the sequential power control function, you can adjust the output time of AC power and automatically switch to DC 24V power supply in case of emergency such as blackout or fire.

Category	PD-6359	PD-6359A
Sequential Power Output Time	Fixed to 2 sec	Time adjustable from 0 to 2 seconds in 0.5 second increments
Power Output Capacity	Up to 2000W per group	Increased to 3300W (4800W max) per group which can synchronize to high power amplifier
Power Supply Method	Trans Method	SMPS Method High Efficiency & Low Weight (PD-6359 : 10.5kg, PD-6359A : 5.8kg)

#### • RACK SYSTEM POWER CONTROL

- It controls the power of the rack system.

#### • AC OUTLET TERMINAL

- It being consisted of UNSWITCHED 1 group and SWITCHED 3 group, and SWITCHED 3 group can output AC power sequentially. (By using the BY PASS setting switch, the time of AC power output can be controlled sequentially.)

#### • SUPPLY EMERGENCY POWER (DC 24V)

- It can supply the battery power to the unswitched power output terminal, so it will be switched to emergency power in case of black out to supply the DC power to the system.

#### • MONITORING OF VOLTAGE SUPPLYING STATUS

- The status of service voltage can be monitored through Windows program.

#### • REMOTE CONTROL

- Power can be on/off from Windows program, and it can be controlled through the contact of remote terminal without PC.

#### • AC/DC VOLT METER

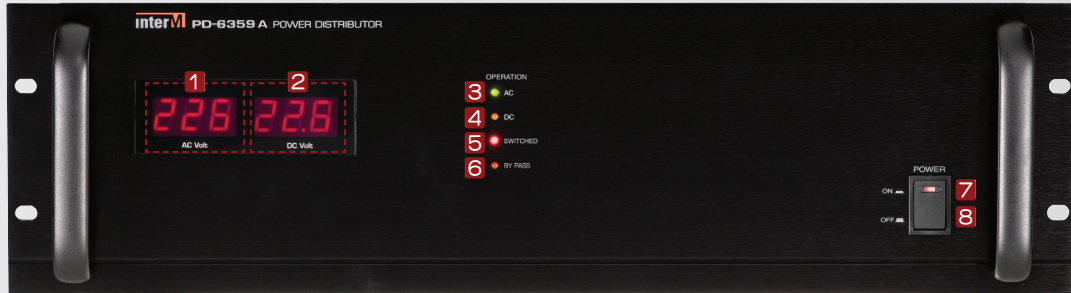
- The status of service voltage can be monitored through front LED display consisting.

※ When AC/DC is switched, the voltage is displayed after about 10 seconds.

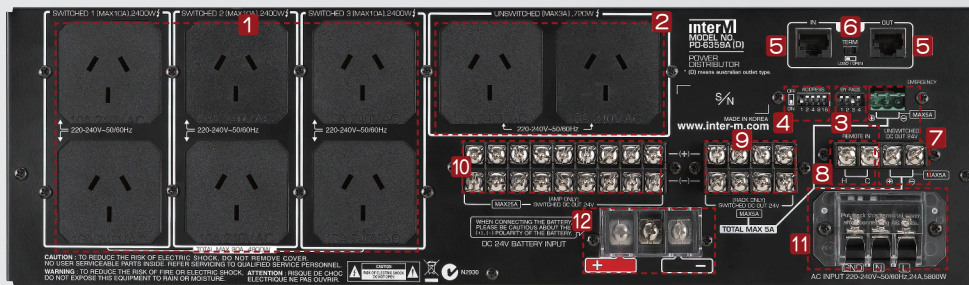
#### • SMPS POWER SUPPLY CIRCUIT

- With stable SMPS power supply circuit, it is low weight.

# FRONT/REAR PANEL

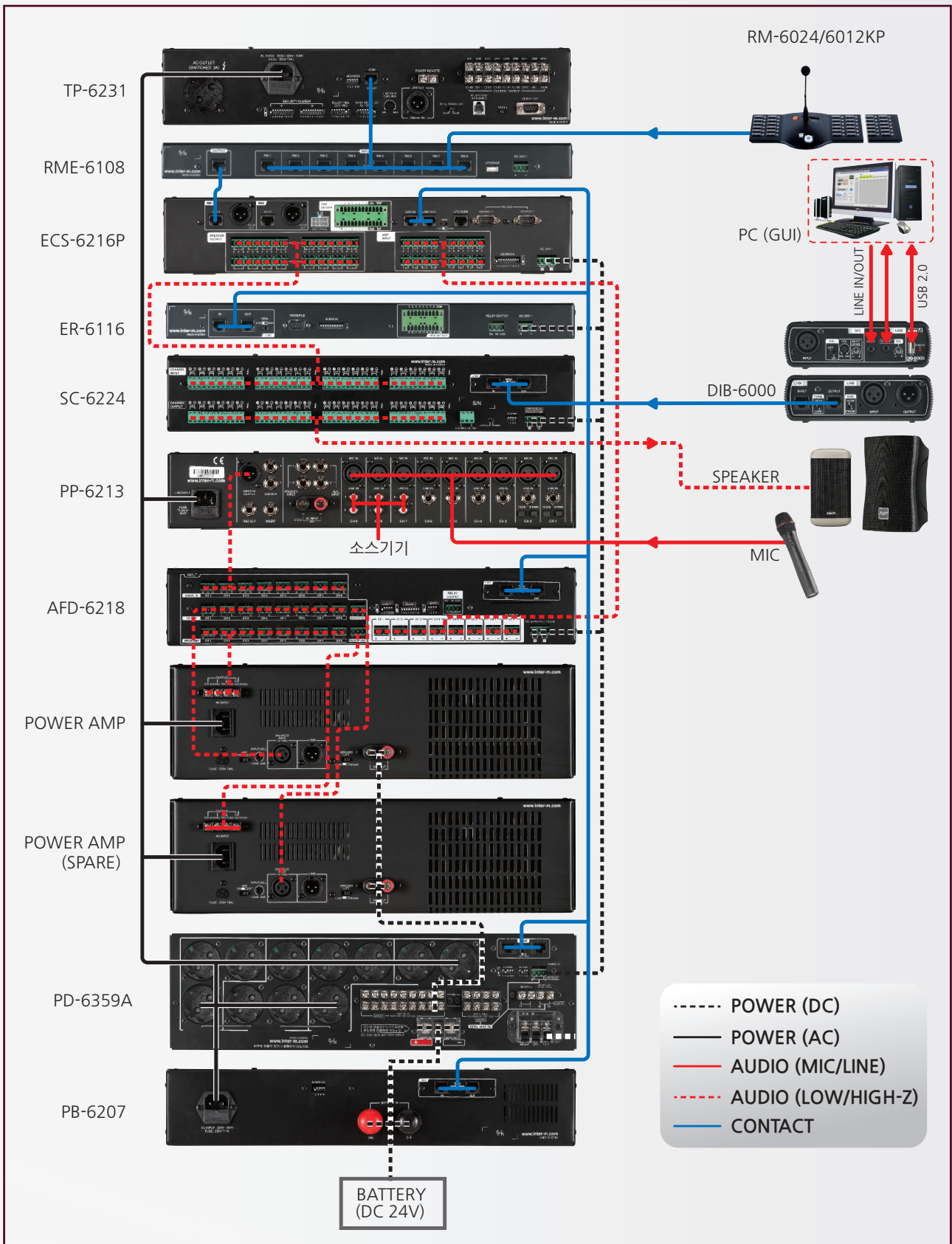


- |                        |                       |
|------------------------|-----------------------|
| <b>1</b> AC VOLT METER | <b>5</b> SWITCHED LED |
| <b>2</b> DC VOLT METER | <b>6</b> BY PASS LED  |
| <b>3</b> AC LED        | <b>7</b> POWER LED    |
| <b>4</b> DC LED        | <b>8</b> POWER SWITCH |

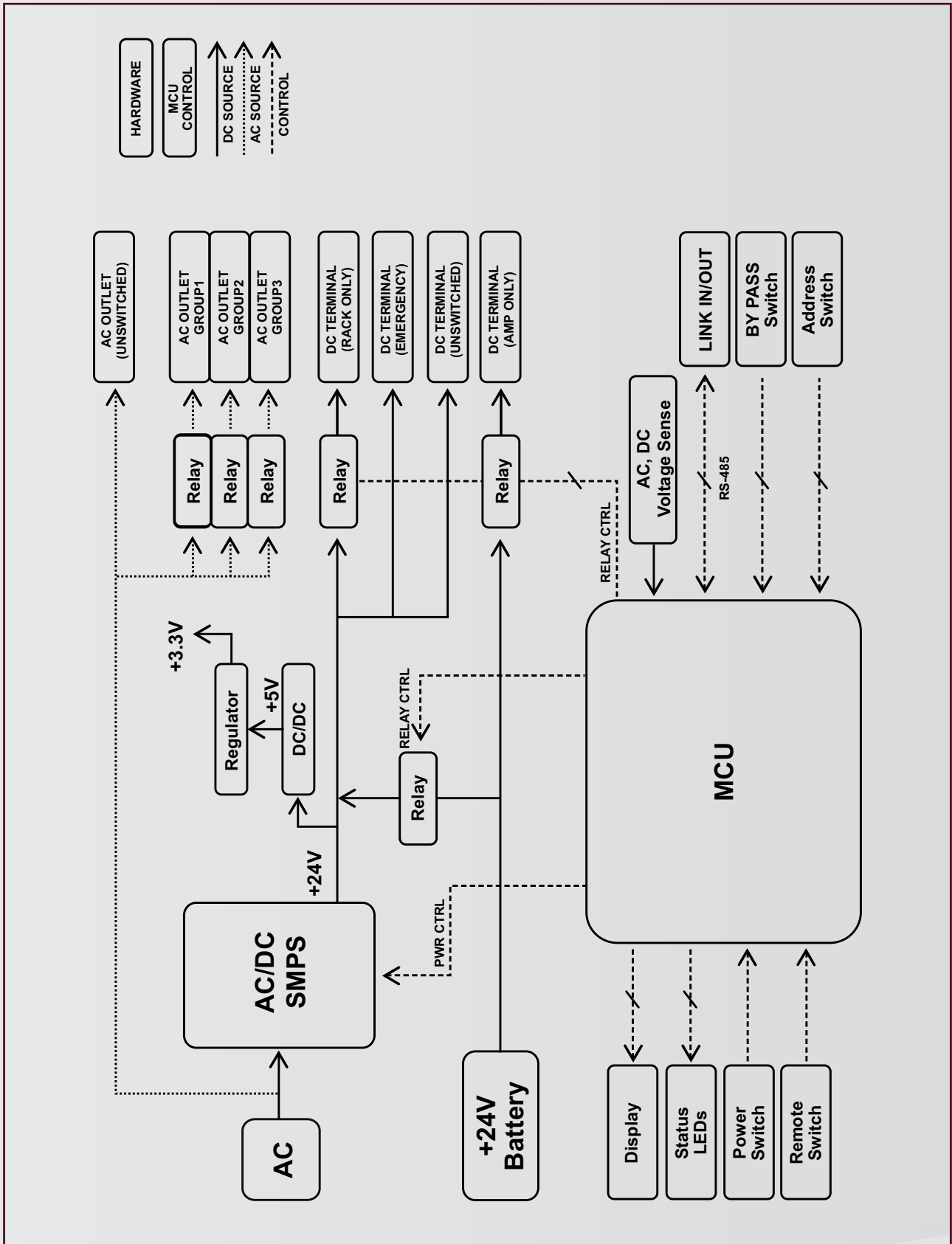


- |   |   |
|---|---|
| <b>1</b> AC OUTLET (SWITCHED 1, 2, 3)             | <b>8</b> REMOTE TERMINAL                                    |
| <b>2</b> AC OUTLET (UNSWITCHED)                   | <b>9</b> DC POWER OUTPUT TERMINAL<br>(DC OUTPUT, ONLY RACK) |
| <b>3</b> BY PASS SETTING SWITCH                   | <b>10</b> DC POWER OUTPUT TERMINAL<br>(DC OUTPUT, ONLY AMP) |
| <b>4</b> ADDRESS SWITCH                           | <b>11</b> AC INPUT TERMINAL                                 |
| <b>5</b> LINK IN/OUT TERMINAL                     | <b>12</b> DC 24V BATTERY INPUT TERMINAL<br>(BATTERY INPUT)  |
| <b>6</b> TERMINATION SWITCH (LOAD/OPEN)           |   |
| <b>7</b> DC POWER OUTPUT TERMINAL<br>(UNSWITCHED) |   |

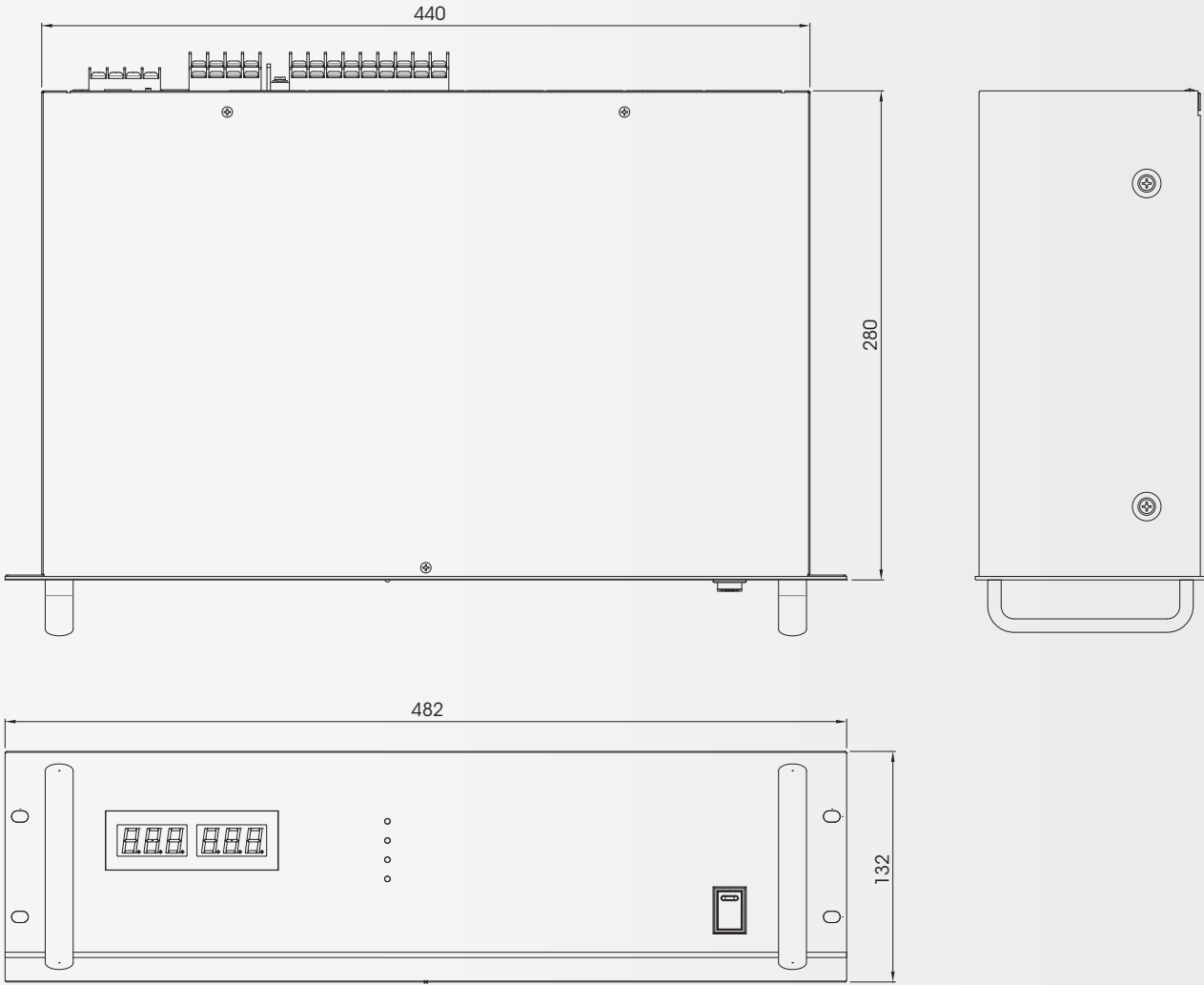
# APPLICATIONS



# BLOCK DIAGRAM



# DRAWING



## SPECIFICATIONS

		PD-6359A
AC/DC Output	AC	SWITCHED : 15A, 3Group (3 Group × 3= 9 channel) UNSWITCHED : 3A, 1Group (2 channel)
	DC	UNSWITCHED : 1 channel (24V, 5A Max) EMERGENCY : 1 channel (24V, 5A Max) AMP ONLY : 9 channel (24V, 25A Max) RACK ONLY : 4 channel (24V, 5A Max)
Sequential Power Delay	BY PASS ~ 2 sec (0.5 step)	
Communication	RS-485	
Operation Temperature	-10°C ~ 40°C	
Power Source	AC 220-240V, 50/60Hz	
Power Consumption	5.8kW	
Weight (SET)	5.8kg/12.8lb	
Dimensions (SET)	482(W)×132(H)×280(D)mm/18.98(W)×5.20(H)×11.02(D)in	



**Inter-M Corp. (IMK)**

719, Dobong-ro, Dobong-gu, Seoul, Korea  
Overseas Sales Team

Tel\_ +82-2-2289-8141~7 Fax\_ +82-2-2289-8149 E-mail\_ overseas@inter-m.com

[www.inter-m.com](http://www.inter-m.com)