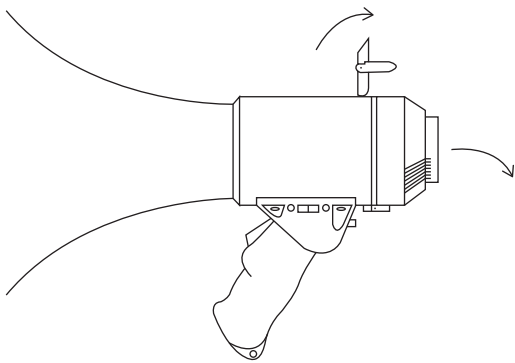


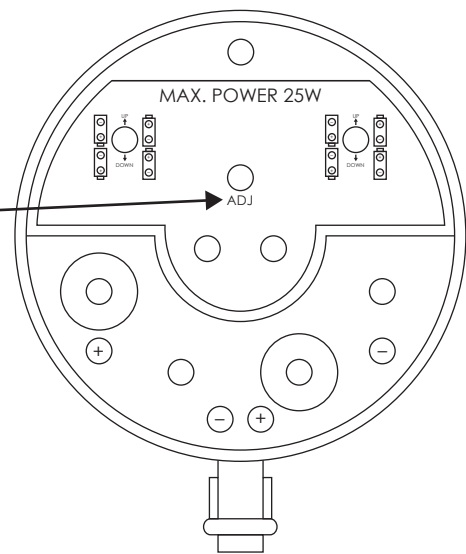
**OPERATING INSTRUCTIONS:**

(1) UNCLIP LATCH TO ACCESS BATTERY COMPARTMENT.

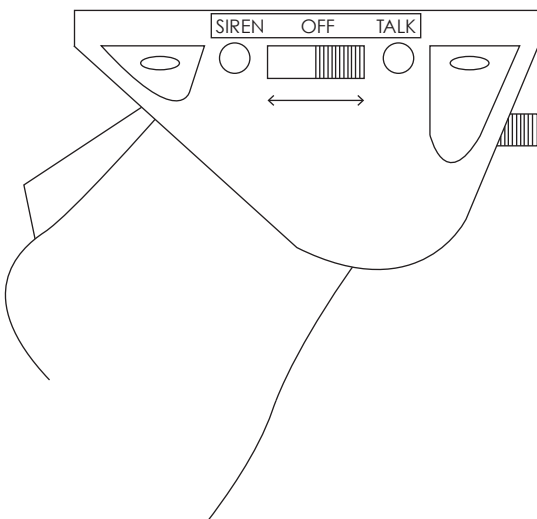


(2) INSERT 8 x AM2 C SIZE BATTERIES (NOTING BATTERY POLARITY IN HOLDER). REPLACE COVER AND RE-CLIP LATCH. (BATTERIES NOT INCLUDED)

MICROPHONE SENSITIVITY ADJUSTMENT COMES PRESET AT THE FACTORY



(3) MOVE SWITCH LEFT FOR AUTO SIREN/RIGHT TO TALK.



(4) ADJUST VOLUME AND HOLD DOWN TRIGGER TO TALK.

