

Remote Control with Audio In

LM-8000



OVERVIEW

Local control is possible using the LM-8000 wall mounted remote control with selection of local background music source in a remote zone as well as control of its volume. Local input allows for line level signal input as well a microphone.

FEATURES

- ❖ Easy integration wiring (power, audio, communications)
- ❖ Local microphone input, line input and volume control
- ❖ BGM channel selection and volume adjustment
- ❖ BGM channel display
- ❖ Easy Wall installation in a standard NEMA electrical outlet box

RELATED PRODUCTS

- ❖ PX-8000
- ❖ RM-8000

SPECIFICATIONS

		LM-8000
Audio Output		0dB(Balanced)
Audio Input	Local BGM(LINE)	-10dB
	MIC	-50dB(Balanced)
Frequency Response	BGM(60Hz ~ 15kHz)	±3dB
	MIC(100Hz ~ 10kHz)	±3dB
S/N	BGM	Better than 75dB
	MIC	Better than 65dB
T.H.D.	BGM	Less than 0.05%
	MIC	Less than 0.05%
Priority Control		PagingMIC>DRP>RM1>RM2> RM3>RM4>LM-8000>MainBGM
Serial Interface (RS-422)	Communication Speed	9600 bps
	Communication Distance	Maximum 300m (using UTP Cat5)
Operation Temperature		-10°C ~+40°C/14°F ~104°F
Power Source		DC 24V, 50mA
Weight (Set)		130g/0.28lb
Dimensions (Set)		70(W)x114(H)x52(D)mm/2.8(W)x4.5(H)x2.0(D)in

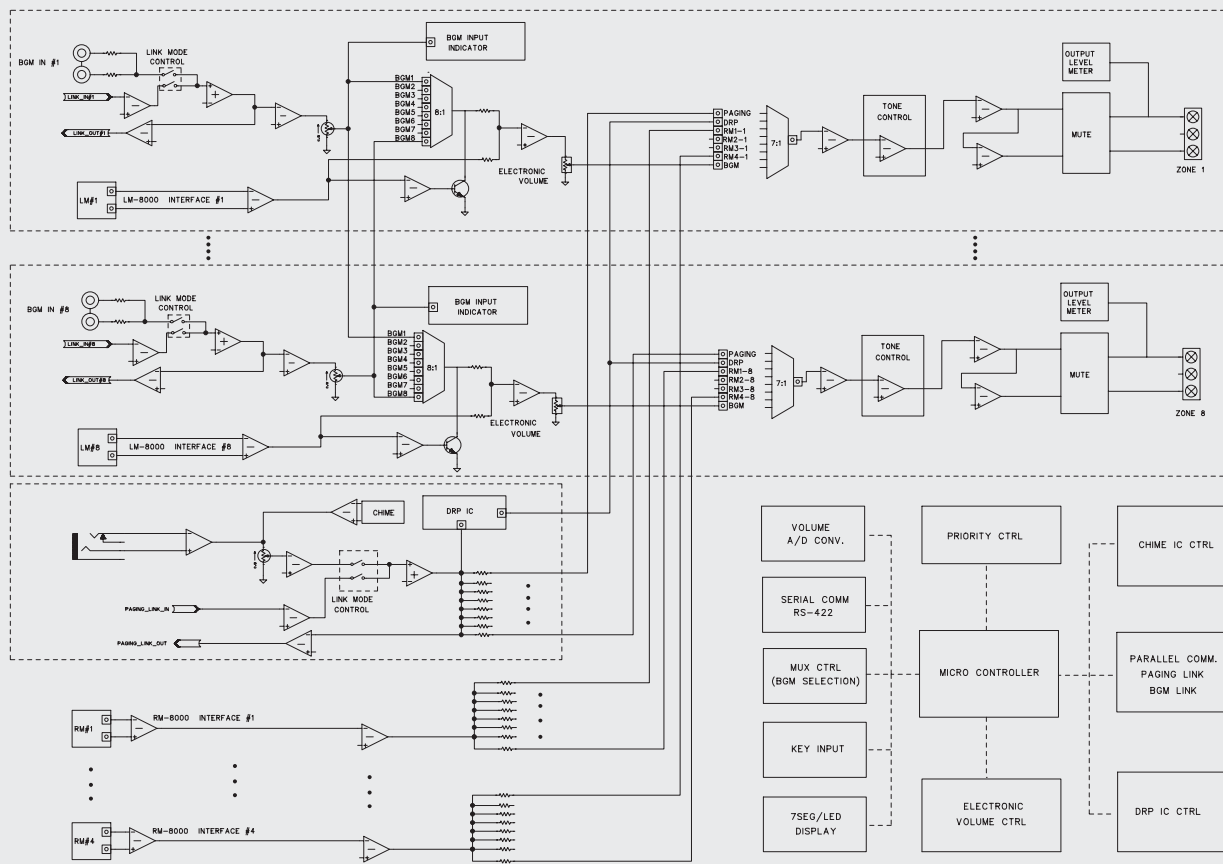
* Specifications and design are subject to change without notice.



APPLICATION

ideal for applications where BGM distribution and multi-zone paging is required such as Restaurants, Retail store, Malls, Hotels, office, gymnasiums and fitness centers

BLOCK DIAGRAM



Inter-M Corporation

- Office : 653-5 BANGHAK-DONG, DOBONG-KU, SEOUL, KOREA
 - Tel : +82-2-2289-8140~8, Fax : +82-2-2289-8149
 - Home page: <http://www.inter-m.com>, E-mail: overseas@inter-m.com

Inter-M Corporation (USA)

- Office : 14730 E. FIRESTONE BLVD #312 LA MIRADA, CA 90638
 - Tel : +1-714-523-1870, Fax : +1-714-523-1882
 - Home Page : <http://www.inter-m.net>, E-mail : info@inter-m.net