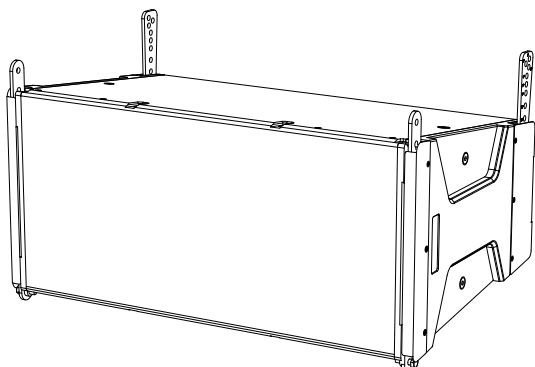
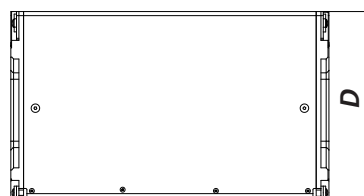
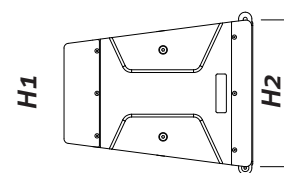
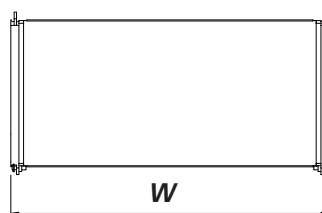


# IS210L



## DIMENSIONS



<b>W</b>	<b>674mm (26.5 in)</b>
<b>H1</b>	<b>212mm (8.3 in)</b>
<b>H2</b>	<b>310mm (12.2 in)</b>
<b>D</b>	<b>400mm (15.7 in)</b>

## MAIN FEATURES

- Impressive sound pressure
- Quick installation
- Multiple array configurations

## PACKAGE CONTENTS

The box contains:

N°1 IS210L loudspeaker

N°2 front link brackets

N°2 back link brackets

This quick start and warranty documentation

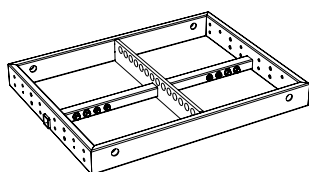
## DESCRIPTION

IS210L is the new dB Technologies 2-way passive line array speaker for professional use. It is equipped with one compression driver (voice coil: 2,4", exit: 1.4") and two 10" neodymium woofers (2.5" voice coil). The coverage pattern is 90° (H) x 15° (V). The mechanical design allows an easy, accurate and quick installation for flyable or stand use in array configuration thanks to the included brackets.

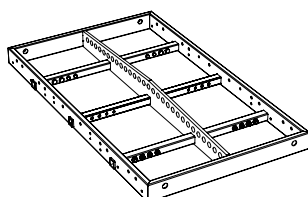
## TECHNICAL SPECIFICATIONS

Speaker Type	2 Way Passive Loudspeaker
Protection against solid objects and liquids (IP):	55
Frequency Response [-6dB]	65 Hz - 17.5 kHz
Usable Bandwith [-10dB]	57 Hz - 18.7 kHz
RMS power	400 W
Rated impedance	8 Ohm
Max SPL (1 m)	133 dB (Fullrange)
Directivity (HxV)	90° x 15°
HF	1.4" exit, 2.4" v.c.
LF	2x 10", 2.5" v.c.
Crossover Frequency	900 Hz
Signal Input	Terminal barrier strip (or speakON® using the SP-IS accessory panel)
Signal Output	Terminal barrier strip (or speakON® using the SP-IS accessory panel)
Housing	Wooden box - black finished
Rigging Points	Integrated mechanics
Dimensions (WxHxD)	675x310x400 mm (26.6x12.2x17.8 in)
Weight	29.2 Kg (64.4 lbs.)

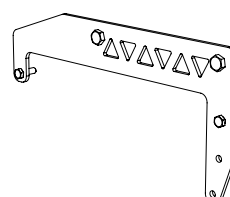
## ACCESSORIES



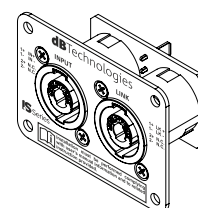
**DRK-1**  
flybar for  
stacked/flyable use



**DRK-2**  
flybar for  
stacked/flyable use



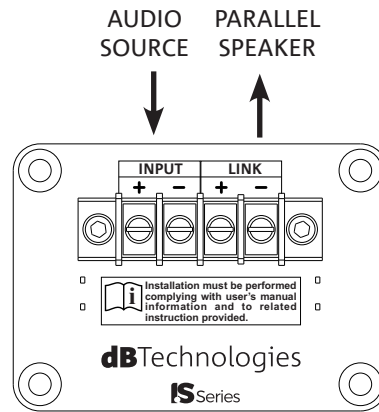
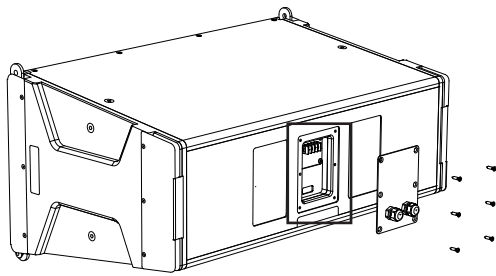
**LP-6**  
bracket for  
stacked/flyable use



**SP-IS**  
speakON® panel

The warnings in this manual must be observed together with the "User Manual - Section 2".

**CONNECTIONS**



**PROTECTION AGAINST SOLID OBJECTS AND LIQUIDS (IP RATING)**

The speakers are protected against the ingress of solid objects and liquids with a rating of IP55 as defined by IEC 60529. Please only use cables with the specified diameters:  
 PG9 => between 4 and 8mm diameter  
 Fasten properly the cable gland using the plastic tightening nut.

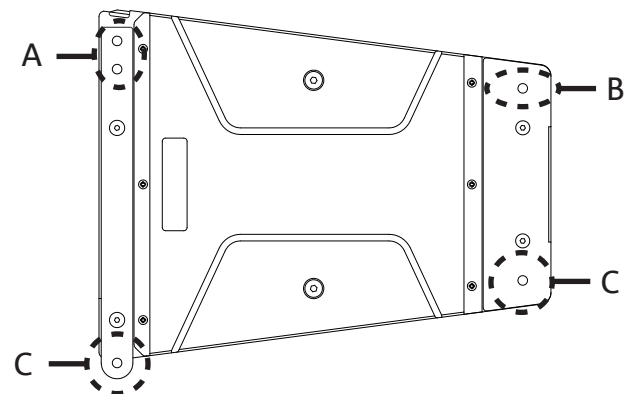


**WARNING!**

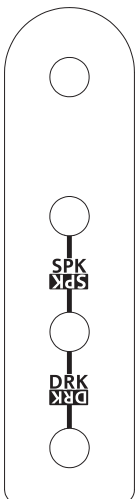
Failure to comply with these installation prescriptions could adversely affect the declared protection ratings.

**MECHANICAL FIXING POINT**

IS 210L can be installed in array configuration, on each side of the loudspeaker the user can find mechanical fixing points to fasten the loudspeaker to another one or a to DRK flybar using the included brackets. The **(A)** fixing points allow front link brackets mount; the **(B)** fixing points allow back link brackets mount. The **(C)** fixing points allow to fasten another speaker in array configuration.



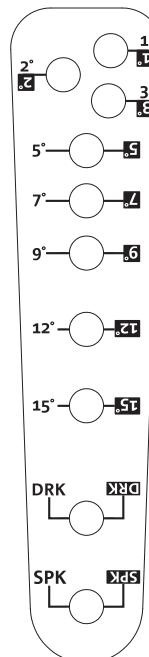
FRONT LINK BRACKETS



The front link brackets allows to link the IS 210L to another loudspeaker or to a DRK flybar.

Fasten the brackets to the IS 210L **(A)** fixing points using the SPK holes (in case of another loudspeaker mount) or the DRK holes (in case of DRK flybar mount).

BACK LINK BRACKETS

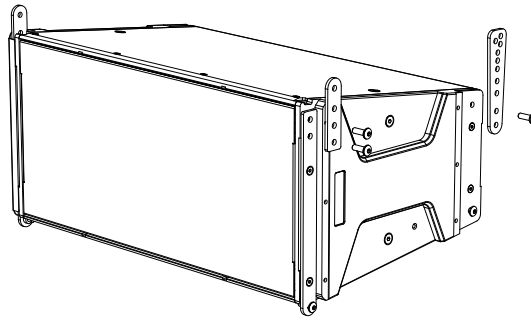


The back link brackets allows to link the IS 210L to another loudspeaker or to a DRK flybar and adjust the tilt angle from 1° to 15°.

Fasten the brackets to the IS 210L **(B)** fixing point using the SPK hole (in case of another loudspeaker mount) or the DRK hole (in case of DRK flybar mount).

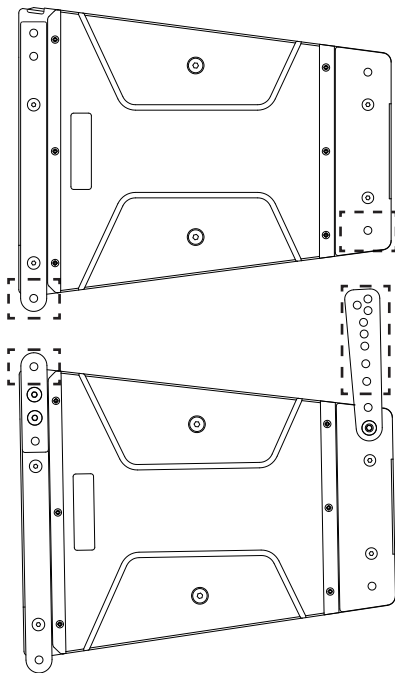
## INSTALLATION

On each side fasten the front and back link brackets to the loudspeaker depending on loudspeaker or DRK flybar coupling.



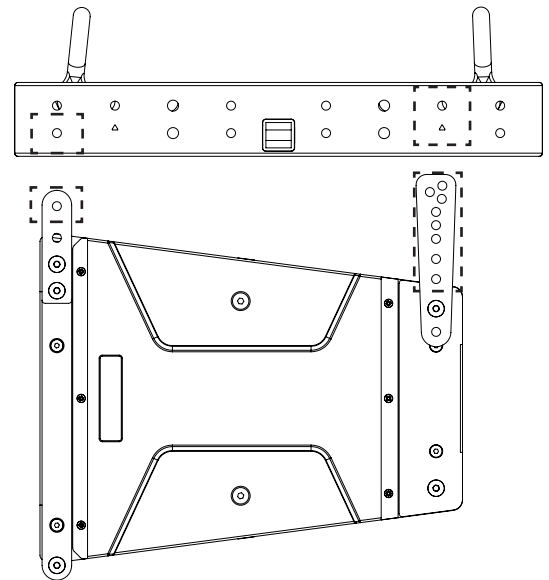
### SPEAKER ARRAY MOUNT

Fasten the speakers using the holes as shown; select the tilt angle from the back link brackets holes depending on the array configuration.



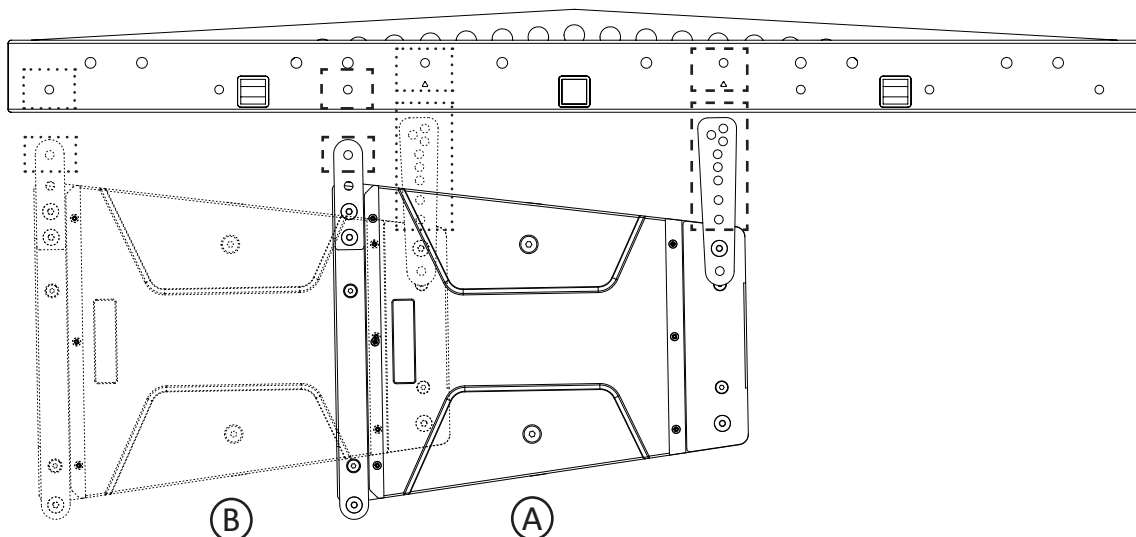
### DRK-1 FLYBAR MOUNT

Fasten the speaker to the flybar using the holes as shown; an arrow on the flybar indicate the hole to choose for the back link bracket fastening. Select the tilt angle from the back link brackets holes depending on the array configuration.



### DRK-2 FLYBAR MOUNT

Fasten the speaker to the flybar using the holes as shown: **A** for positive angle, **B** for negative angle. An arrow on the flybar indicate the hole to choose for the back link bracket fastening. Select the tilt angle from the back link brackets holes depending on the array configuration.

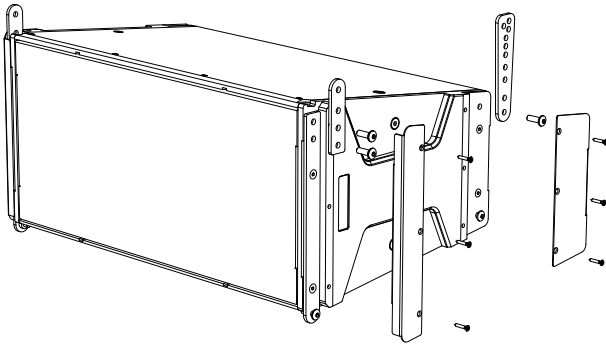
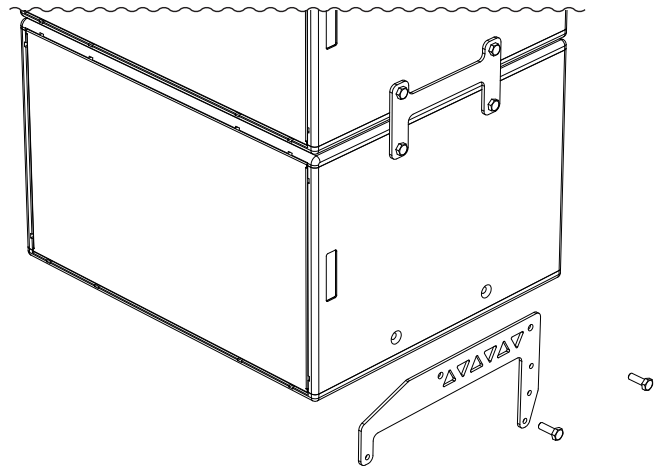
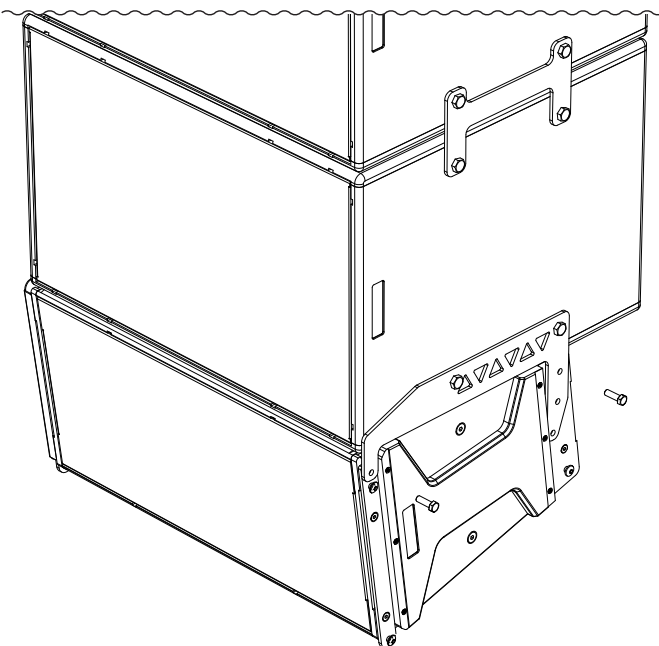
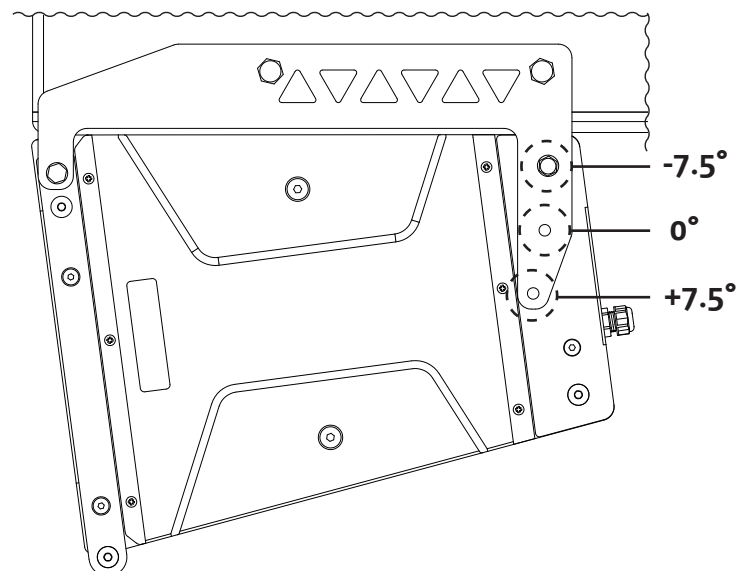


LP-6 BRACKETS FLOWN MOUNT

The LP-6 brackets allows to link IS 210L loudspeakers with IS 115S subwoofers in flown or stack configurations. For the flown installation with LP-6 brackets follow this procedure:

1. First remove the IS 210L side panels and internal link brackets
2. Fasten the LP-6 brackets to the subwoofer
3. Fasten the loudspeaker to the LP-6 brackets
4. The three holes in the back of the LP-6 brackets allow to adjust the tilt angle ( $-7.5^\circ$ ,  $0^\circ$  or  $+7.5^\circ$ ).

For more information please refer to LP-6 user manual.

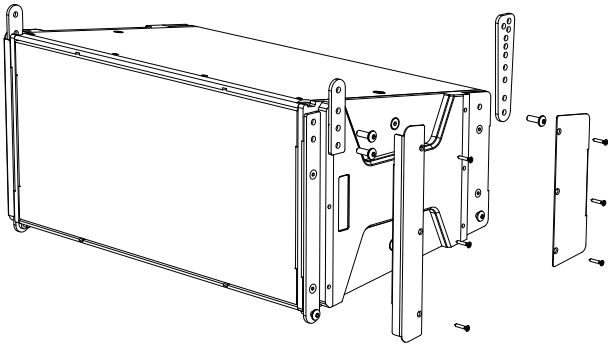
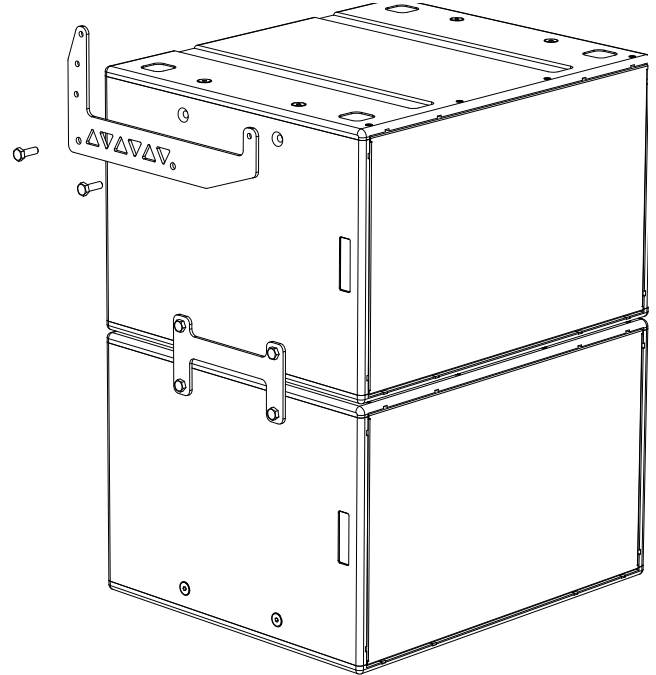
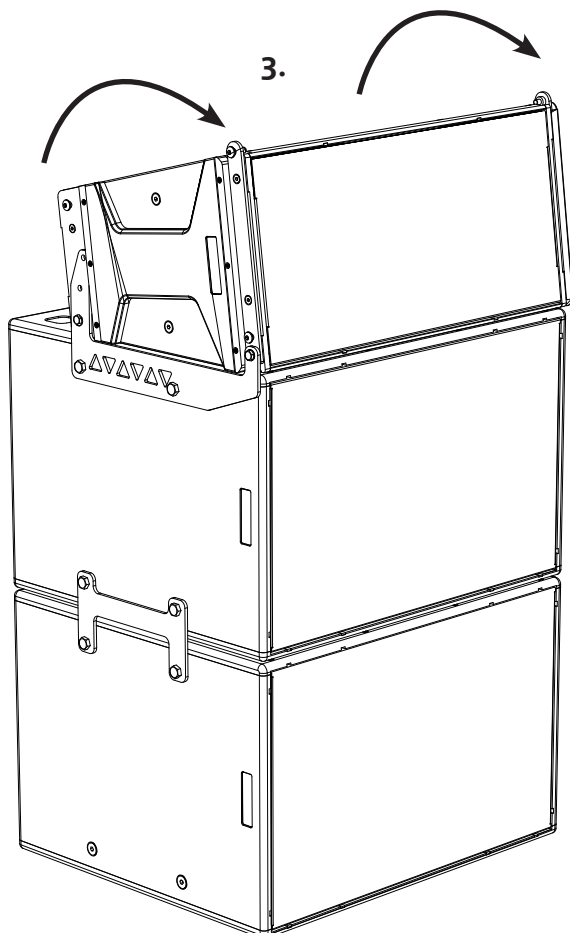
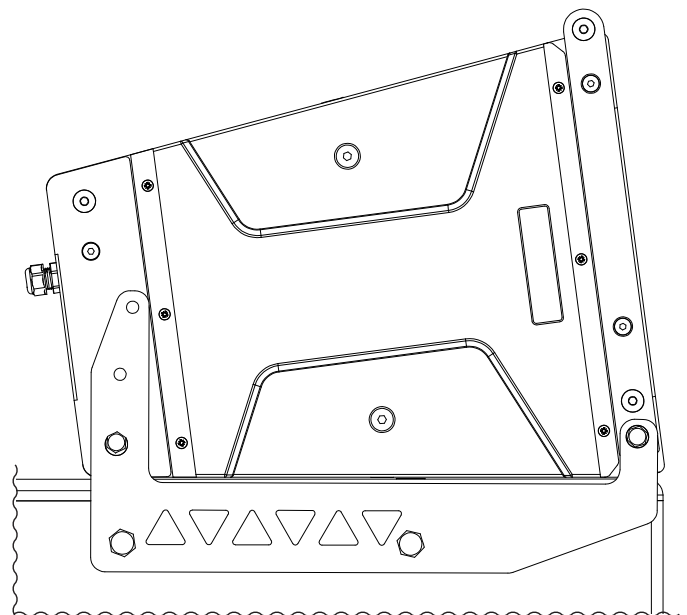
**1.****2.****3.****4.**

LP-6 BRACKETS STACK MOUNT

For the stack installation with LP-6 brackets follow this procedure:

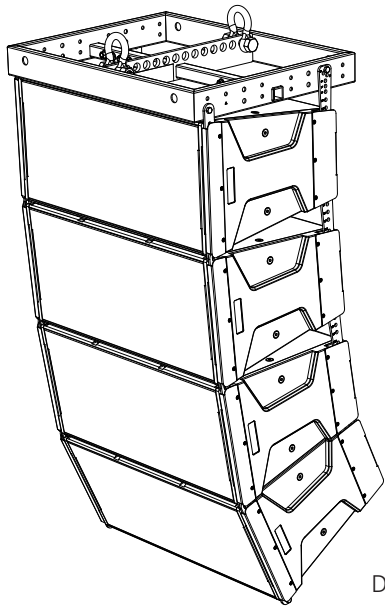
1. First remove the IS 210L side panels and internal link brackets
2. Fasten the LP-6 brackets to the subwoofer
3. Place the loudspeaker upside down on the subwoofer and fasten to the brackets
4. The three holes in the back of the brackets allow to adjust the tilt angle ( $-7.5^\circ$ ,  $0^\circ$  or  $+7.5^\circ$ ).

For more information please refer to LP-6 user manual.

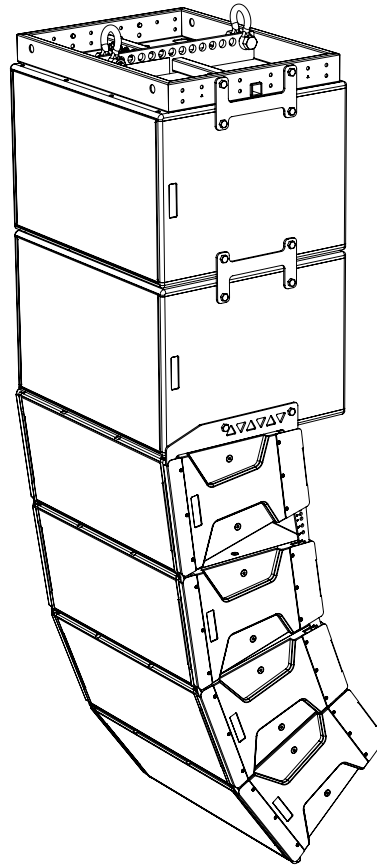
**1.****2.****3.****4.**

CONFIGURATIONS

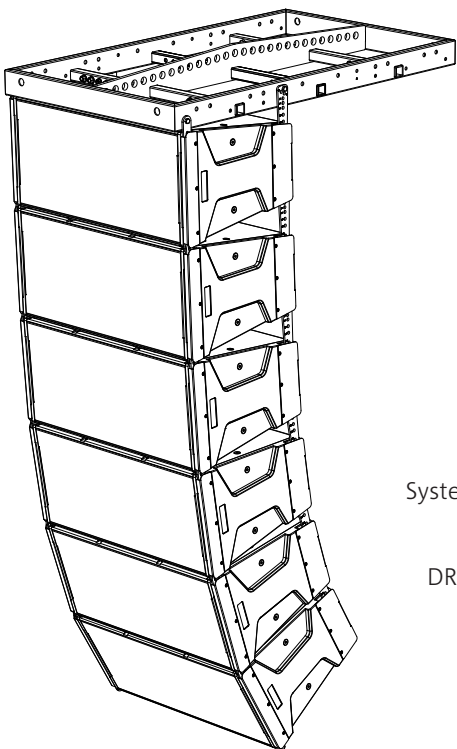
FLOWN



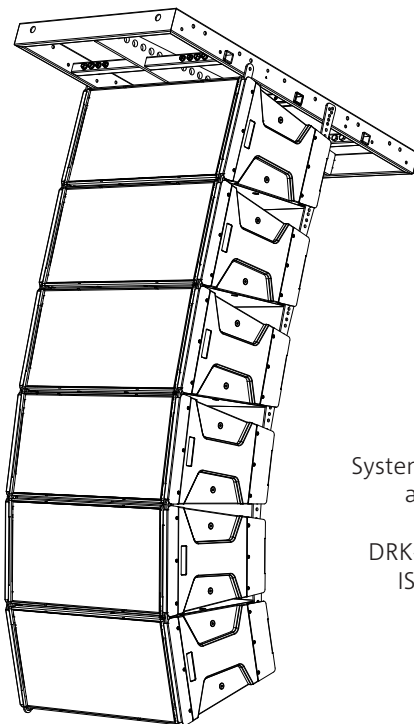
DRK-1 flybar  
IS 210L



DRK-1 flybar  
LP-4 brackets  
IS 115S  
LP-6 brackets  
IS 210L

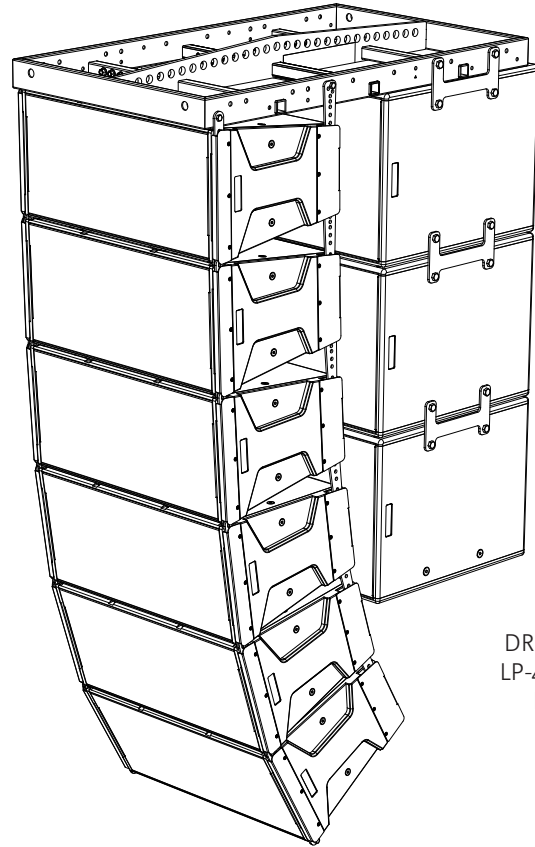
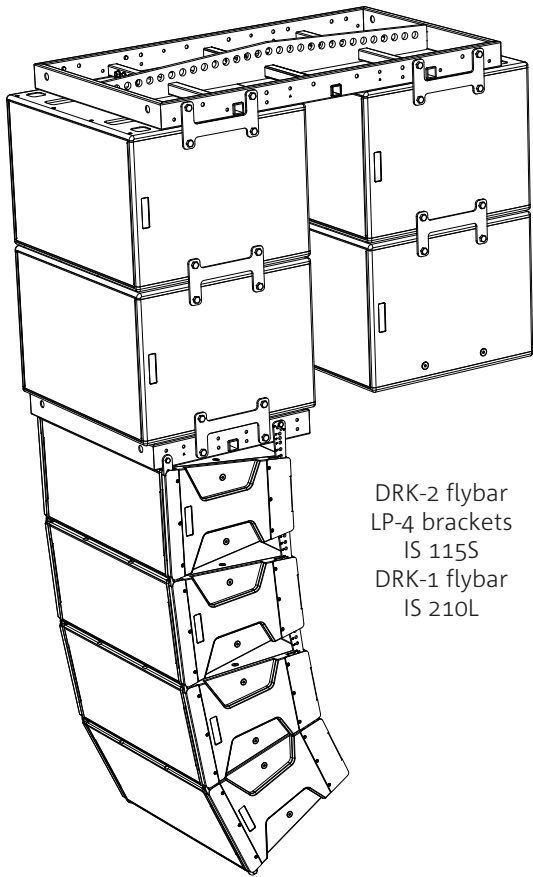


System negative  
angle  
DRK-2 flybar  
IS 210L

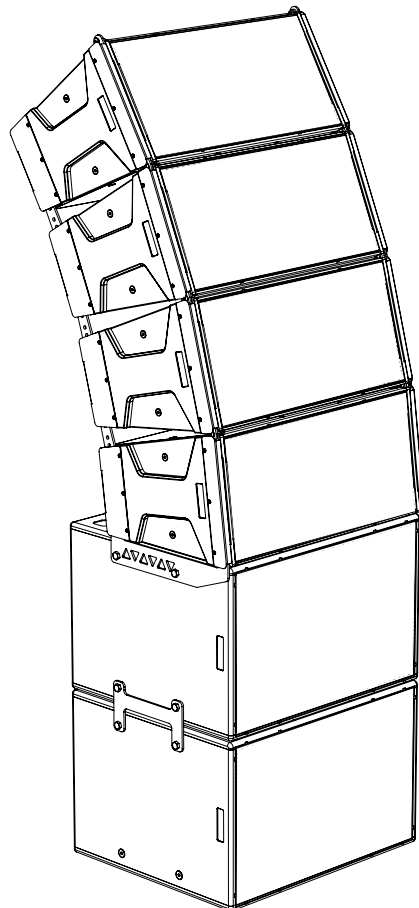


System positive  
angle  
DRK-2 flybar  
IS 210L

For further information regarding max loading and installation requirements, please refer to the accessories user manual.



STACKED



IS 115S  
LP-6 brackets  
IS 210L

*For further information regarding max loading and installation requirements, please refer to the accessories user manual.*

## WARNINGS



**WARNING:** Make sure that the loudspeaker is securely installed in a stable position to avoid any injuries or damages to persons or properties. For safety reasons do not place one loudspeaker on top of another without proper fastening systems. Before hanging the loudspeaker check all the components for damages, deformations, missing or damaged parts that may compromise safety during installation. If you use the loudspeakers outdoor avoid spots exposed to bad weather conditions.

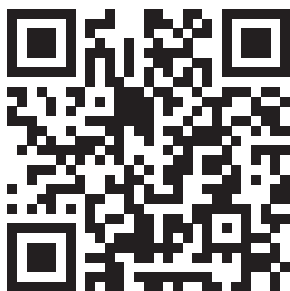
The external wiring connected to speaker output terminals requires installation by qualified personnel only. Once the equipment is installed, prevent access to the connectors to unqualified personnel. Only use the accessories and configurations described in this manual, and proceed in accordance with the instructions given in the manuals for the accessories. dBTechnologies will not accept any responsibility for damages caused by inappropriate accessories or additional devices.

Installation and use of this equipment and its accessories must be performed only by "Expert personnel" according to safety standard. To prevent hazards to people, animals and/or objects, make sure that the installation is stable and secure. Comply with the safety regulations and laws in force in the country in which you use the product. For safe use, periodically check that all parts are in good working condition before use. Only authorised personnel may carry out design, calculations, installation, testing and maintenance of professional flown or stacked audio systems.

Check periodically the integrity and the functionality of the accessories and the technical equipments for a safe installation. user should never apply a load that exceeds the working load limits of any rigging components or equipment here presented. design, calculation, installation, testing and maintenance of suspension and stack systems for audio equipment must be performed only by qualified and authorized personnel. AEB Industriale s.r.l. denies any and all responsibility for improper installations, in the absence of safety requirements.

*Features, specification and appearance of products are subject to change without notice.*

*dBTechnologies reserves the right to make changes or improvements in design or manufacturing without assuming any obligation to change or improve products previously manufactured.*



*Scan with your  
QR Reader App  
to download the  
complete User  
Manual.*



A.E.B. Industriale Srl  
Via Brodolini, 8  
Località Crespellano  
40053 VALSAMOGGIA  
BOLOGNA (ITALIA)  
Tel. +39 051 969870  
Fax +39 051 969725

[www.dbtechnologies.com](http://www.dbtechnologies.com)  
[info@dbtechnologies-aeb.com](mailto:info@dbtechnologies-aeb.com)