

iD-BGM Series IP46 Rated Surface Mount Installation Speakers



Two-Way Weather Resistant Loudspeaker

The iD-BGM Series are weather and UV rated two-way structured plastic cabinet loudspeakers. The iD-BGM4 is fitted with a high impedance transformer, one 4" woofer and one 0.8" (20mm) dome tweeter. The iD-BGM6 and iD-BGM8 are each fitted with one 6" woofer and 8" woofer respectively, a high impedance transformer, and one 1"(25mm) dome tweeter.

Features

- Structured plastic cabinet, weather and UV resistant (IP46)
- Molded-in horn, 120°H x 90°V (iD-BGM4), 90°H x 60°V (iD-BGM6), 90°H x 50°V (iD-BGM8)
- High power output (16Ω or 100V)
- Aluminium grille

Applications

Full range sound reinforcement with 16Ω or 100V operation.

Suitable for background music applications such as:

bars, cafes, classrooms, beer gardens,
yards, aquatic centres and other
commercial applications.

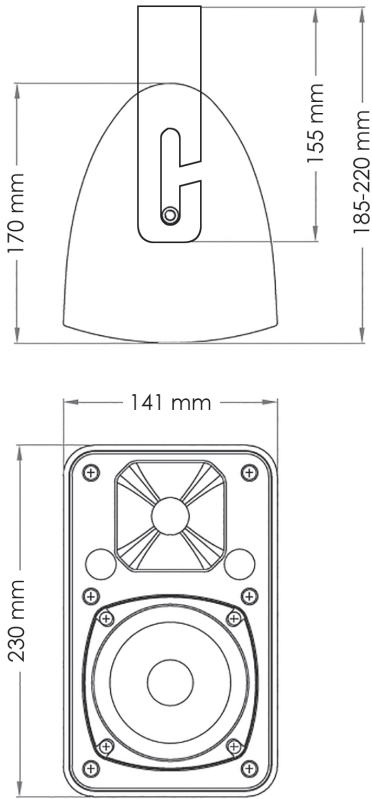


MODEL	iD-BGM4 BK / iD-BGM4 WH	iD-BGM6 BK / iD-BGM6 WH	iD-BGM8 BK / iD-BGM8 WH
Frequency response (-3dB)	75Hz-20kHz	60Hz-18kHz	60Hz-18kHz
Drivers	1x 4" (100mm)/1" VC LF, 1x 0.8"(20mm) / dome tweeter	1x 6" (150mm)/1.5" VC LF, 1x 1"(25mm) / 1" voice coil LF	1x 8" (200mm)/2" VC LF, 1x 1"(25mm) / 1" voice coil LF
Input voltage	100V		
Power	10W/20W/40W/OFF/16Ω	20W/40W/80W/OFF/16Ω	37.5W/75W/150W/OFF/16Ω
Sensitivity	88dB 1 watt/1 metre	89dB 1 watt/1 metre	94dB 1 watt/1 metre
Maximum SPL	103dB continuous, 109dB peak	110dB continuous, 116dB peak	116dB continuous, 122dB peak
Impedance	16Ω nominal		
Dispersion (-6dB)	120° x 90°	90° x 60°	90° x 50°
Crossover frequencies	3.5kHz passive	2.4kHz passive	2.3kHz passive
IP rating	IP46 (Applicable Standards – EN 60529: 1991 + A1: 2000 + A2: 2013)		
Dimensions (W x D x H)	141 x 170 x 230 mm	182 x 224 x 362 mm	241 x 285 x 450 mm
Weight	2.8kg	6.5kg	10.7kg
U-Brackets (included)	Powder-coated 316 stainless steel		

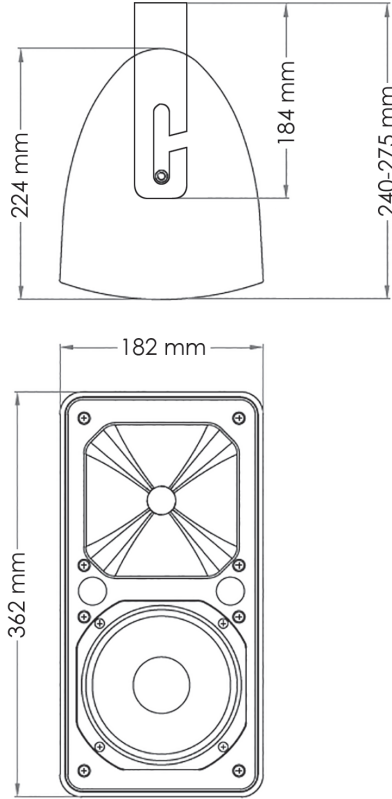
Description and specifications are correct at time of printing. Maybe subject to change without notice.

Dimensions

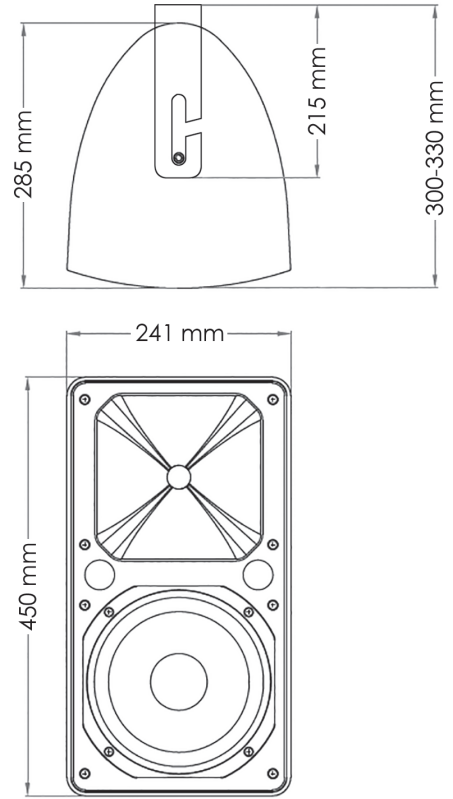
iD-BGM4



iD-BGM6



iD-BGM8



Wall Brackets



iD-BGM4 WB BK / iD-BGM4 WB WH

Articulated Wall bracket for iD-BGM4.
Rear mount. Black and white available.

iD-BGM6/8 SWB BK / iD-BGM6/8 SWB WH

Swivel Wall bracket for iD-BGM6 & iD-BGM8 – V2.
Black and white available.