

Superlux®

ECM999 **1/2" MEASUREMENT MICROPHONE**

Contact

Marketing and sales

Goang-Fann Co.,Ltd
+886-2-26931323
sales@superlux.com.tw
support@superlux.com.tw

Manufacturing & logistics

Superlux Enterprise
Development (Shanghai) Co., Ltd.

ECM999

MEASUREMENT MICROPHONE

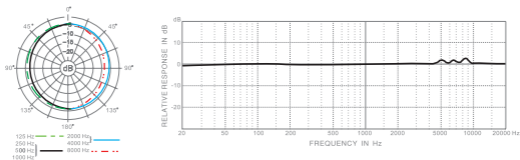
GENERAL DESCRIPTION

The ECM999 is an omni-directional microphone for free-field measurement with built-in highly-reliable circuit, 1/4" pre-polarized condenser capsule, high stability, low distortion, and less noise in performance. Its excellent flat frequency response make it an ideal candidate for sonic analysis systems and for special recording as well.

FEATURE

- Sturdy metal construction, durable black finish
- Very flat response, excellent electro-acoustic characteristics
- Ideal for room sonic analysis systems, measurement, testing and recording
- Powered by phantom power 12-52V DC
- Standard 1/2" measurement diameter

ECM999 FREQUENCY RESPONSE



Specifications

*Note: Specifications are subject to change.

Type	Back electret, Ø6mm(Ø0.24")
Polar Pattern	Omni
Frequency Response	20-20,000Hz
Sensitivity	-37dBV/Pa (14mV)
Output Impedance	200Ω
Minimum Load Impedance	1,000Ω
S/N Ratio	70dB
Equivalent Output Noise	24dB
Max. SPL	132dB SPL
Dynamic Range	108dB
Power Requirements	12-52V DC, 2mA
Finish	Black
Connector	XLR3M
Dimensions	Ø21x192mm, Ø0.83x7.56"
Net Weight	140g (4.9oz)
Packaging	A1 carrying case, colorful outer sleeve

*1Pa=10 microbars=94dB SPL

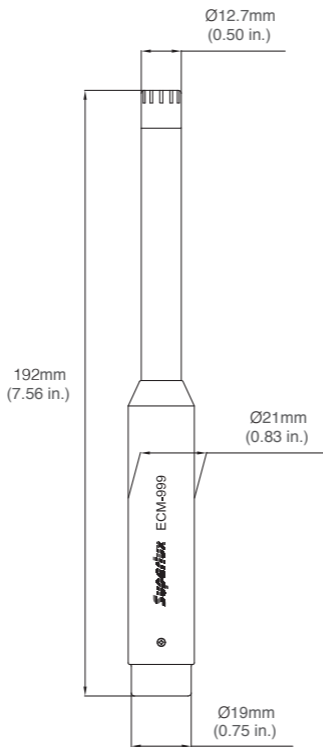
SUPPLIED ACCESSORIES



HM10S
Mic clip
with screw knob



S02
Windscreen



Unit: mm/inch

KNOWING YOUR MICROPHONE



TYPE OF TRANSDUCER CONDENSER

With an extremely light weight diaphragm, it is very sensitive to sound. Very small versions are available for hidden applications. High performance condenser microphones are regarded as standard equipment in recording studios for extreme detail capturing. They operate with phantom or bayberry power.



DIRECTIVITY OMNI

With equal sensitivity in all directions, an omni microphone doesn't need to point toward the sound source. It is welcomed for news gathering and music recording applications.



WARNING! INDICATES A POTENTIALLY HAZARDOUS SITUATION WHICH IF MISHANDLED COULD RESULT IN DEATH OR SERIOUS PERSONAL INJURY OR PROPERTY DAMAGE.

- ※Do not expose the unit to rain or an environment where it may be splashed by water or other liquids as doing so may result in fire or electric shock.
- ※Do not attempt to modify this product. Doing so could result in personal injury and/or product failure.
- ※Do not subject to extreme force and do not pull on the cable, it might cause the product failures.
- ※Keep this product and the equipment which used together dry and avoid to exposure to extreme high temperature and humidity.



LIMITED WARRANTY

Superlux Enterprise warrants all materials and workmanship under use as instructed by the user's manual of this product for a period of one year from the original date of purchase. Warranty period might be different by each area. Please contact your local dealer for more information. If any defects are found in the materials or workmanship or if the product fails to function properly during the applicable warranty period, Superlux Enterprise, at its option, will repair or replace the product. This warranty applies only to equipment sold and delivered by Superlux Enterprise's authorized distributors or dealers. However, the following are not covered: Damage caused by accident, misuse, abuse, product modification or neglect; damage occurring during shipment; damage resulting from failure to follow instructions contained in your Instruction manual; damage resulting from the performance of repairs by someone not authorized by Superlux; claims based upon any misrepresentations by the seller; any Superlux product on which the serial number has been defaced, modified or removed. Service and repairs of Superlux products are to be performed only at a factory-authorized facility or authorized distributors or dealers. Unauthorized service, repairs, or modification will void this warranty. To obtain repairs under warranty, you must have a copy of your sales receipt from the authorized Superlux dealer where you purchased the product. It is necessary to establish purchase date and determine whether your Superlux product is within the warranty period. To obtain factory authorized service, please contact authorized distributors, dealers or mail to support@superlux.com.tw.