

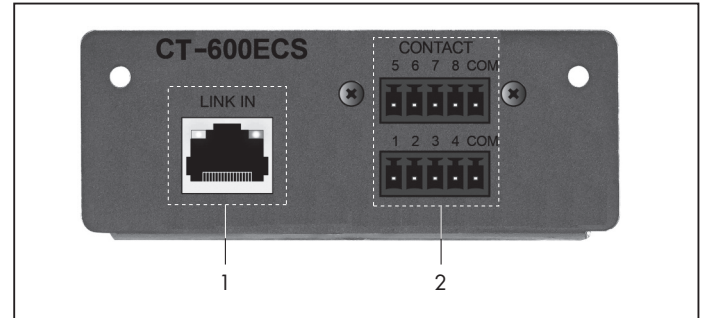


Features

- This product is the optional module which adds the control signal transfer function for the ITX/IRX Series, FTA/FRA-108S.
- **Simple Installation**
Easy installation is possible because there is a installation slot in the set.
- **Applied Equipment**
 - CT-600ECS : FTA-108S, ITX-108, ITX-102
 - CR-600ECS : FRA-108S, IRX-108, IRX-102
 - CT-600RM : FTA-108S, ITX-108, ITX-102
 - CR-600RM : FRA-108S, IRX-108, IRX-102

Front Panel and Rear Panel

- CT-600ECS



1. Link In Terminal

It is connected with LINK OUT terminal of 6000 system.

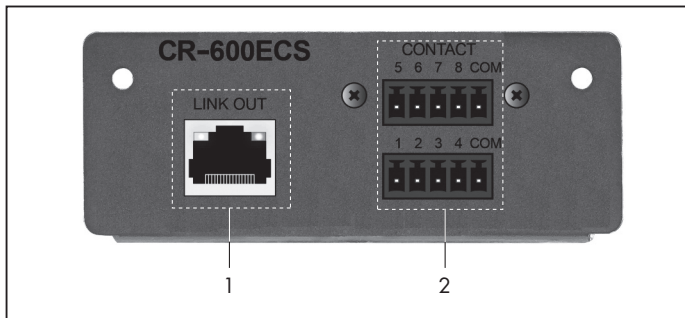
2. Dry Contact Input Terminal

This is dry contact signal input terminal.

※ Compatible Equipment:

FTA-108S, ITX-108, ITX-102

- CR-600ECS



1. Link Out Terminal

It is connected with LINK IN terminal of 6000 system.

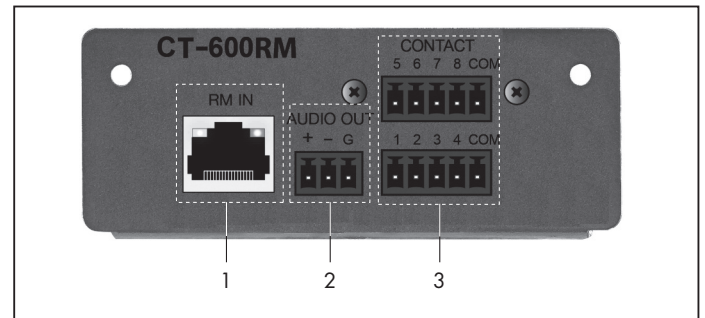
2. Dry Contact Output Terminal

This is dry contact signal output terminal.

※ Compatible Equipment:

FRA-108S, IRX-108, IRX-102

- CT-600RM



1. RM In Terminal

It connects RM-6024(REMOTE MIC) or RME-6108(RM EXTENDER)

2. Audio Output Terminal

It outputs voice signal transmitted from remote mic input terminal. It is connected with input terminal of FTA-108S, ITX-108 and is able to transmit voice signal.

3. Dry Contact Input Terminal

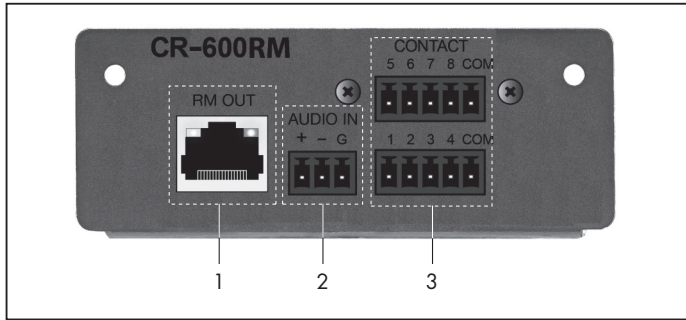
This is dry contact signal input terminal.

※ Compatible Equipment:

FTA-108S, ITX-108, ITX-102



- CR-600RM



1. RM Out Terminal

It outputs RM data transmitted from CT-600RM.

2. Audio Input Terminal

It inputs voice signal outputted with FRA-108S, IRX-108, IRX-102. Input signal is transmitted to the following equipment with RM signal via UTP cable.

3. Dry Contact Input Terminal

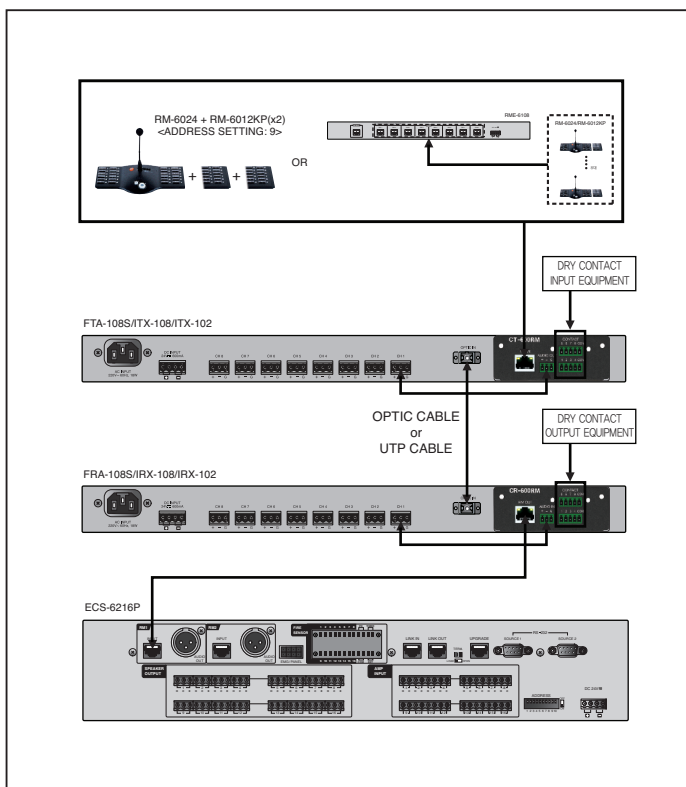
This is dry contact signal input terminal.

※ Compatible Equipment:

FRA-108S, IRX-108, IRX-102

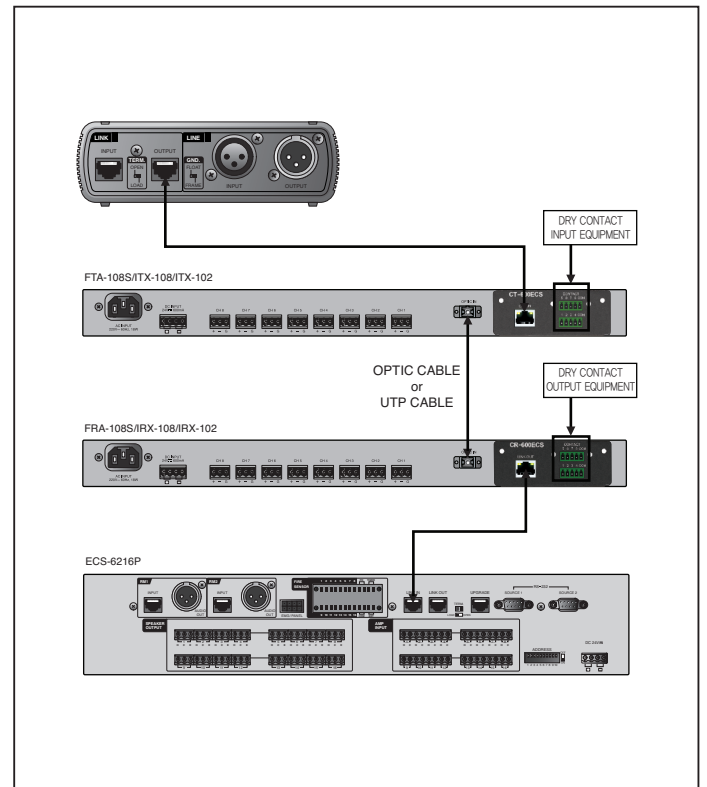
Connection Chart

- CT/CR-600RM



Connection Chart

- CT/CR-600ECS



Specifications

		CT-600ECS, CR-600ECS, CT-600RM, CR-600RM
Transmission Method	LINK/RM Dry Contact	RS-485 DRY CONTACT
Power Source		+5V, +24V (Input from the main device)
Operation Temperature		-10°C ~ 40°C
Weight(Set)		250g/0.55lbs
Dimensions(Set)		84(W) x 36(H) x 130(D)mm/ 3.3(W) x 1.42(H) x 5.12(D)in

Cautions

1. Make sure to switch off the power of equipment when inserting a module.
2. Make sure to check support equipment when inserting a module.
(CT-600ECS/RM can be used with the transmitter FTA-108S, ITX-102/108 and CR-600ECS/RM can be used with the receiver FRA-108S, IRX-102/108)