

# CD-610U

USB / CD / Multi Source Player

## “High Performance at affordable price”

The CD-610U uses high-quality audio DAC chip. Among the supported media are CD, MP3 WMA, WAV and USB. An RS-232 port offers 3rd party remote control capability.





*The CD-610U uses high-quality audio DAC chip. Among the supported media are CD, MP3 WMA, WAV and USB. An RS-232 port offers 3rd party remote control capability.*



## CD-610U

The CD-610U offers high quality playback of multi-format audio on CD, and removable USB Drive. Inter-M raises the quality standard of CD players by using only high-quality DACs and broadcast quality balanced output stages. 3rd party control such as crestron and AMX is possible via RS232 control. The CD-610U is a high-quality yet affordable CD/MP3 player. A 24V DC back up supply connection allows for uninterrupted playback in the event of power failure.

# CD-610U

USB / CD / Multi Source Player

## CD PLAYER : 3-beam Pick-Up Robust state-of-the-art transport mechanisms

CD-610U uses state of the art anti-shock transport mechanism similar to those used in the automotive industry. Stable skip free CD playback makes the CD-6208 ideal for broadcast and professional venues as well as applications shock free playback is required.



## USB Playback

The CD-610U can easily playback file stored on a USB Drive in formats including MP3, WMA and WAV.

## [REAR PANEL]



## DC 24V

A 24V DC back up supply connection allows for uninterrupted playback in the event of power failure.



### SWITCH MODE POWER SUPPLY DESIGN

SMPS power supply design ensures smooth and rich sound reproduction.

### VARIOUS FORMAT OUTPUTS

The CD-610U multiple output formats including SPDIF and Optical. Analogue playback outputs are available on stereo un-balanced audio on RCA connectors. A mono summed output is available on an XLR-M connector optimized for mono-environment applications such as BGM.

### AMX/Crestron and Inter-M Systems external remote Control

A user –friendly front panel interface combined with RS-232 Control port compatible with AMX, Crestron, Inter-m Systems and other 3rd party controllers capabilities provide exceptional control and ease of use

### FIRMWARE UPDATE

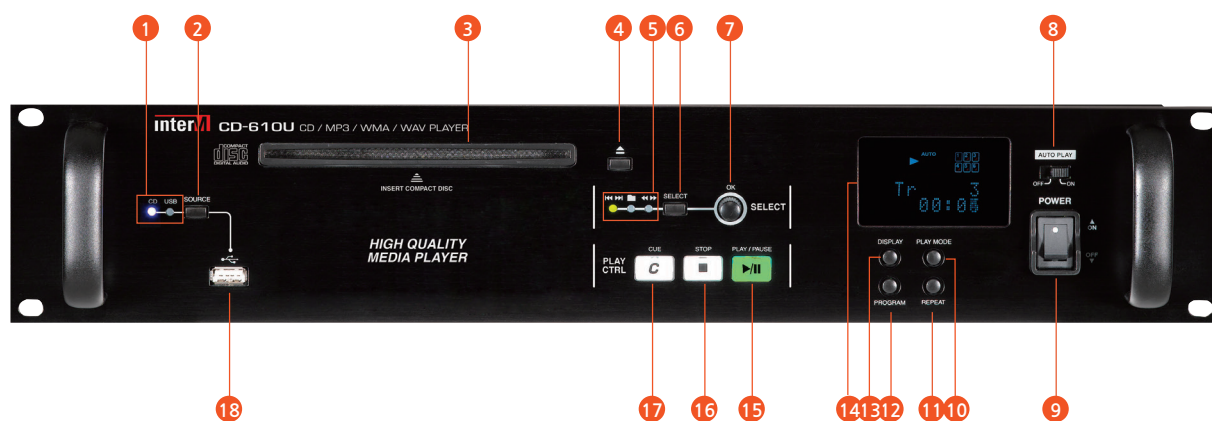
The CD-610U comes complete with feature rich performance. New features can be added and upgraded via easy to install Firmware updates. Firmware can be updated be downloaded from the inter-m's website as they become available. Performance can be sustained.



# CD-610U

USB / CD / Multi Source Player

## FRONT / REAR PANEL



- |                            |                    |                    |                   |        |
|----------------------------|--------------------|--------------------|-------------------|--------|
| 1 SOURCE SELECTION LED     | 5 SELECT LED       | 9 POWER SWITCH     | 13 DISPLAY BUTTON | 17 CUE |
| 2 SOURCE SELECTION         | 6 SELECT BUTTON    | 10 PLAY MODE       | 14 DISPLAY        | 18 USB |
| 3 MEMORY DISK INSTANT PLAY | 7 ENCODER SWITCH   | 11 REPEAT BUTTON   | 15 PLAY/PAUSE     |        |
| 4 EJECT BUTTON             | 8 AUTO PLAY SWITCH | 12 PROGRAM BUT-TON | 16 STOP           |        |



- |                           |                      |                     |
|---------------------------|----------------------|---------------------|
| 1 AC INLET                | 3 DC INPUT           | 5 RCA OUTPUT SOCKET |
| 2 RS-232 INTERFACE SOCKET | 4 MONO OUTPUT SOCKET |                     |



## ■ INTER-M CD Player Line-up

CDR-01



- SD Recorder
- SD Memory Player
- Auto Play
- Multifunction encoders
- Sound quality-driven circuit design
- HiFi headphone Monitoring
- AES / EBU output support
- High operating reliability
- 3rd party serial remote control  
AMX / CRESTRON / INTER-M
- Dimension and Weight  
482(W) x 88(H) x 280(D)mm / 19(W)x3.5(H)x11(D) in / 5.3kg / 11.7lb
- Virtual Disk
- Instant Play
- Pitch
- CUE

CD-6208

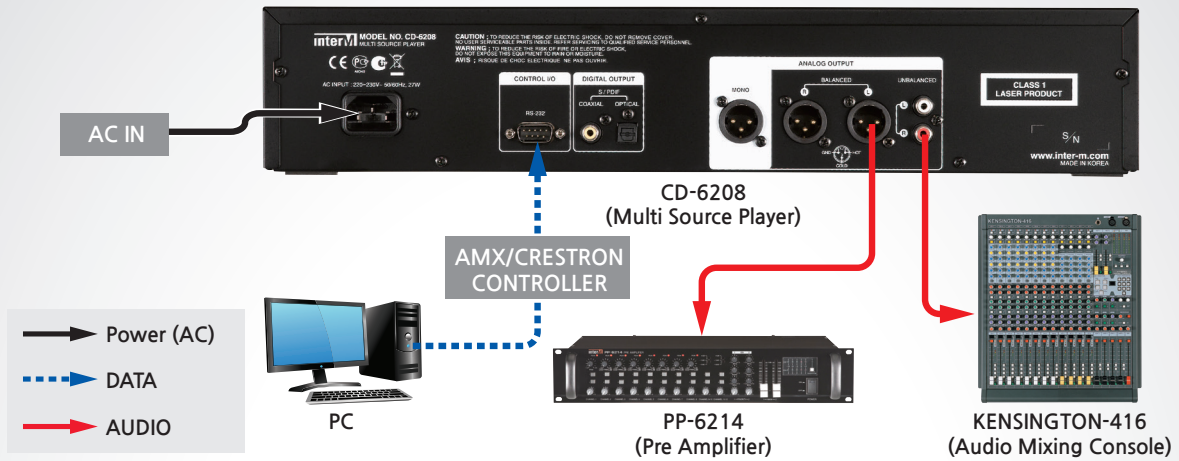


- Memory virtual play
- INSTANT PLAY
- AUTO PLAY on power on
- PITCH CONTROL
- CUE
- Multifunction encoders
- Sound quality-driven circuit design
- High operating reliability
- AMX/CRESTRON/INTER-M compatibility
- Plays a variety of media type
- Support firmware update
- Dimension and Weight:  
482(W) x 88(H) x 280(D)mm / 19(W)x3.5(H)x11(D) in / 5.3kg / 11.7lb

## ■ Inter-M CD Player Comparison

	Source			Function				
	USB	SD CARD	DC 24V	CD > MEMORY COPY	USB > MEMORY COPY	AUDIO REC TO MEMORY	AES/EBU CONNECTOR	HEAD PHONE OUTPUT
CDR-01	O	O	X	X	X	O	O	O
CD-6208	O	O	X	O	O	X	X	X
CD-610U	O	X	O	X	X	X	X	X

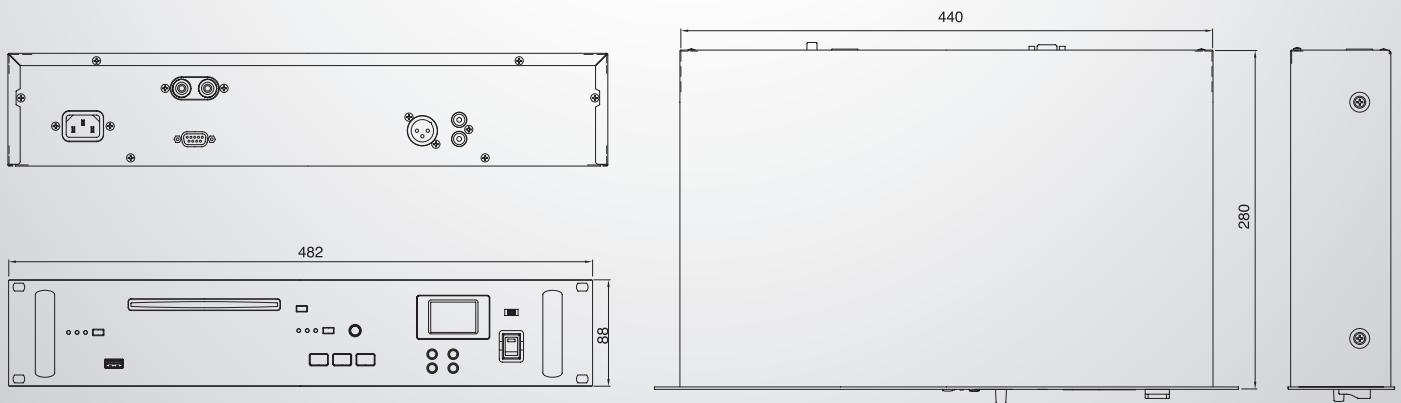
## Applications



## Specification

DISC	12cm
Number of channels	3 channels (L, R, Mono)
Frequency Response (20Hz~20kHz)	+0.5/-2.0dB
T.H.D. (20kHz LPF)	Less than 0.01% (Nor), 0.03% (Lim)
S/N (20kHz LPF, A-WTD)	Better than 84dB (Nor), 80dB (Lim)
Analog Output Level (Max)	+6dBV±2dB (2Vrms)
Analog Output Connectors	RCA: L/R, XLR:MONO
Formats	Audio CD (CD-DA), MP3, WMA
Operation Temperature	-10°C ~ +40°C / 14°F ~ 104°F
Power Source	USA/CANADA 120VAC, 60Hz / DC 24V UK/Europe 230VAC, 50Hz / DC 24V Australia 240VAC, 50Hz / DC 24V
Power Consumption	12W
Weight (SET)	4.7kg / 10.4lb
Dimensions (SET)	482(W) x 88(H) x 280(D)mm / 19.0(W) x 3.46(H) x 11.02(D) in

## Dimension



### Inter-M Corp. (IMK)

719, Dobong-ro, Dobong-gu, Seoul, Korea  
Overseas Sales Team

Tel\_ +82-2-2289-8141~7 Fax\_ +82-2-2289-8149 E-mail\_ overseas@inter-m.com

www.inter-m.com

※ Design and specification are subject to be changed for the improvement of product quality without pre notice.

2015. 7. V3

