

LAMPRO



LAMPRO  
**BNX SERIES**

Display A Better World

# CONTENT



**01**

**Product Overview**

**02**

**Scope of Application**

**03**

**Product Features**

- 3.1 Appearance
- 3.2 Performance
- 3.3 Structure

**04**

**Product Specification**



# Product Overview

01

# Product Overview



- 01**  
Super lightweight and slim
- 02**  
Module with no back shell design
- 03**  
High flatness
- 04**  
Highly efficient heat dissipation
- 05**  
PSU and Receiving cards double backup
- 06**  
Cabinet size:500x250mm、 750x250mm、 1000x250mm、  
500X500、 500X1000  
Module size:250x250mm



# Scope of Application

02

# Scope of Application

## Application

- Multi-assembly
- Widely application
- Design for indoor/fix



Retail shops, chain stores, TV studios, Cinemas, Airports, Museums



# Product Features

03

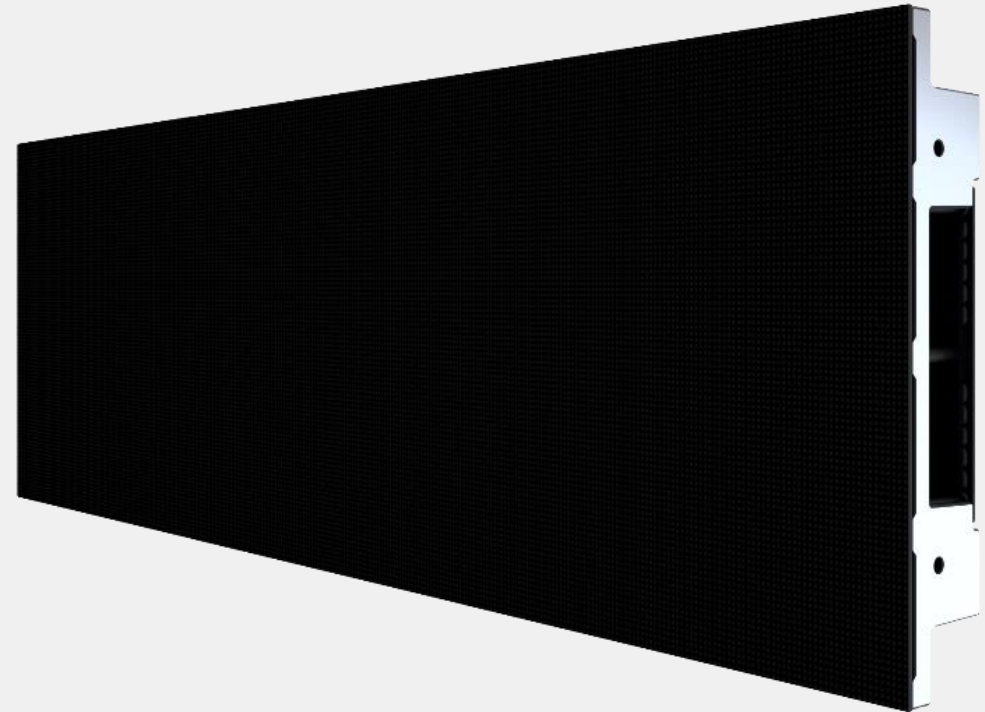
# Product Features

---

## 3.1 APPEARANCE

### Compact Appearance

- Fancy cabinet design, and both power and data cables are connected internally to ensure no extra uncovering cables outward.





# Product Features

## 3.1 APPEARANCE

Multi-cabinet Sizes

**5**  
OPTIONS

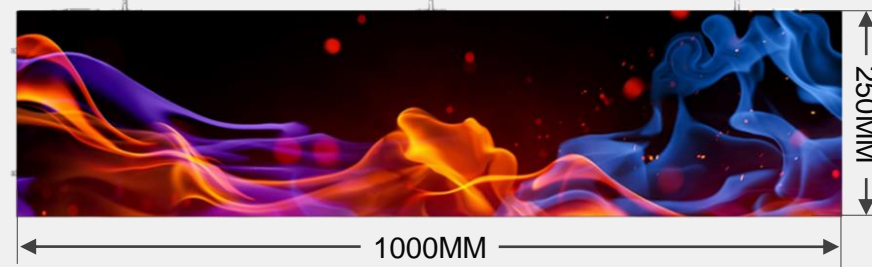
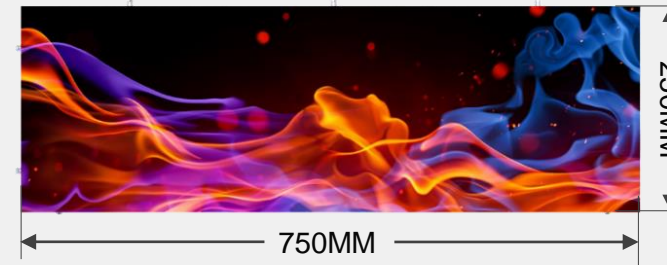
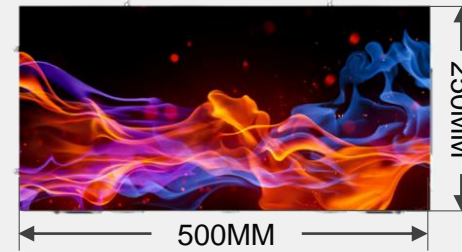
500x250x48MM

1000x250x48MM

500x1000 x48MM

750x250x48MM

500x500 x48MM



.....

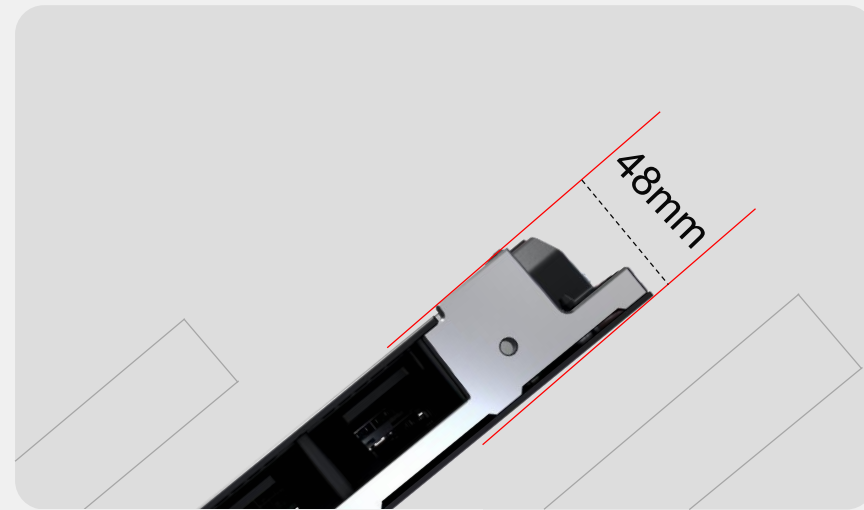
# Product Features

## 3.1 APPEARANCE

Super Lightweight And Slim



Cabinet is super light



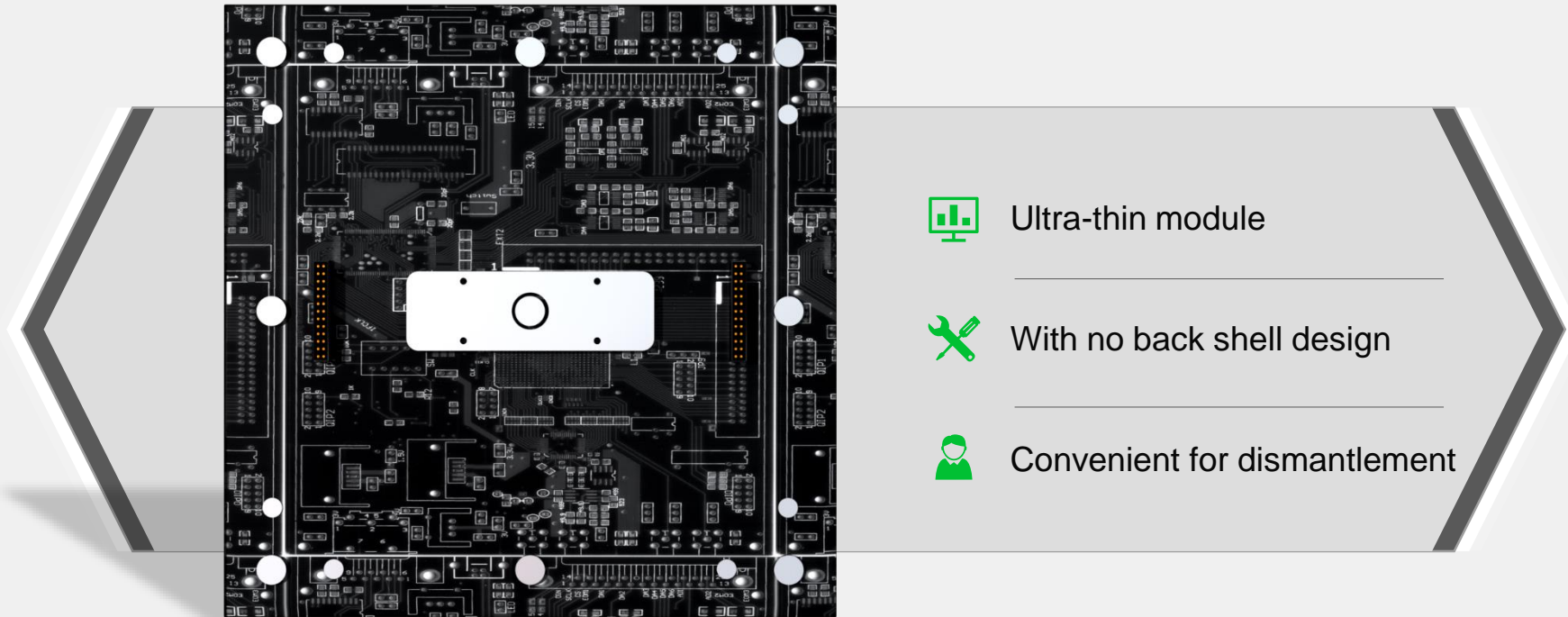
Cabinet is super slim

Cabinet is super light - only 5kg for 750x250mm cabinet and super slim with depth of only 48mm.

# Product Features

## 3.1 APPEARANCE

Ultra Thin Module With No Back Shell Design

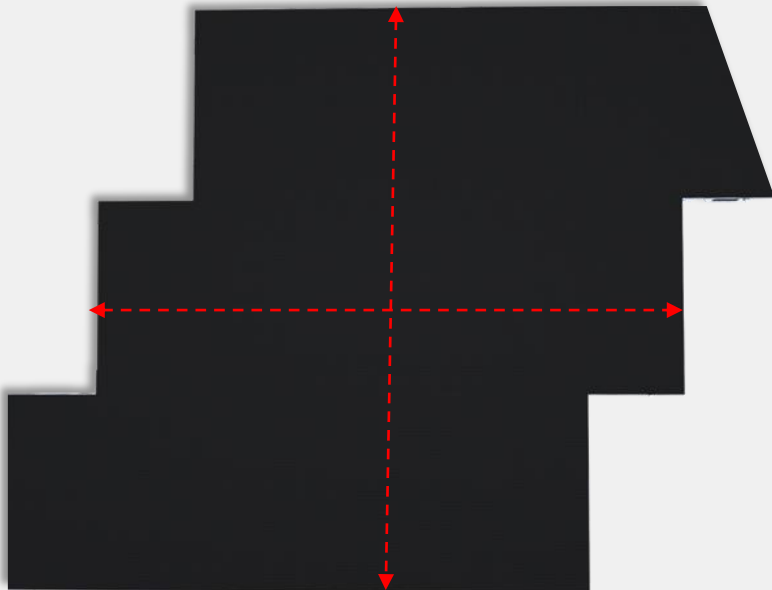


# Product Features

---

## 3.1 APPEARANCE

High Flatness



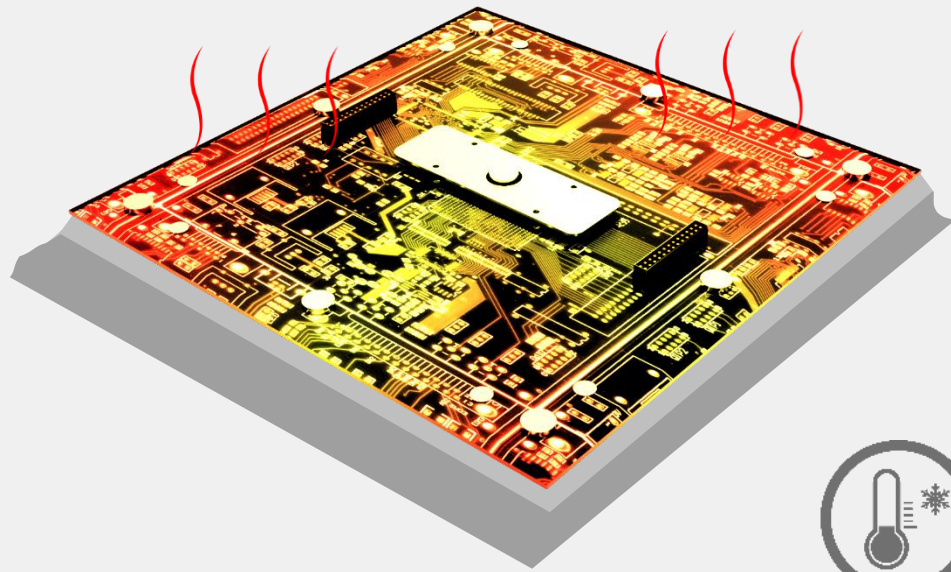
Flatness inside and gap control  
between cabinet is perfect.

# Product Features

---

## 3.2 PERFORMANCE

Highly Efficient Heat Dissipation



Modules without back shell design helps to dissipate heat more efficiently



Good Hca. Control

# Product Features

## 3.2 PERFORMANCE

### Internal Connection Of Power And Data Cables



Power cable with pin connector while data cable with RJ45 connector are connected internally.



pin connector

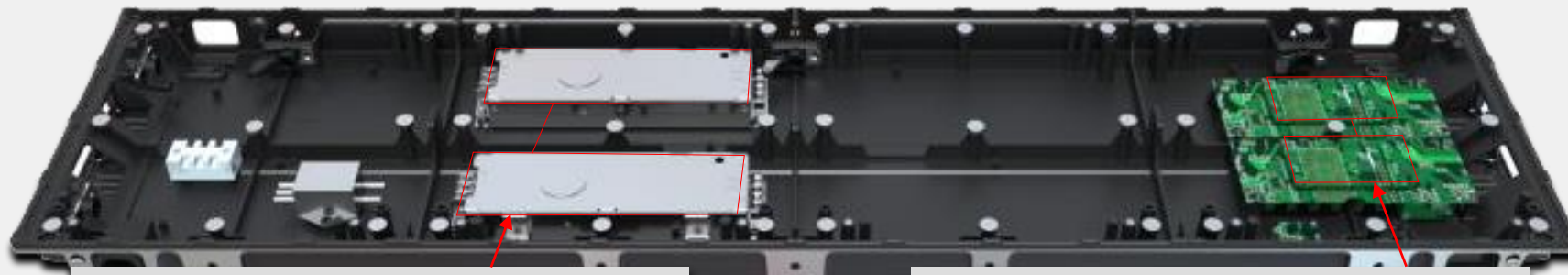


RJ45 connector

# Product Features

## 3.2 PERFORMANCE

### Psu And Receiving Cards Double Backup(optional)



#### PSU double backup(optional)

PSU will be backuped by N+1 quantity. When one way of power transmission fails, another way will work instead automatically to ensure the normal working of screen.

#### Receiving card double backup (optional)

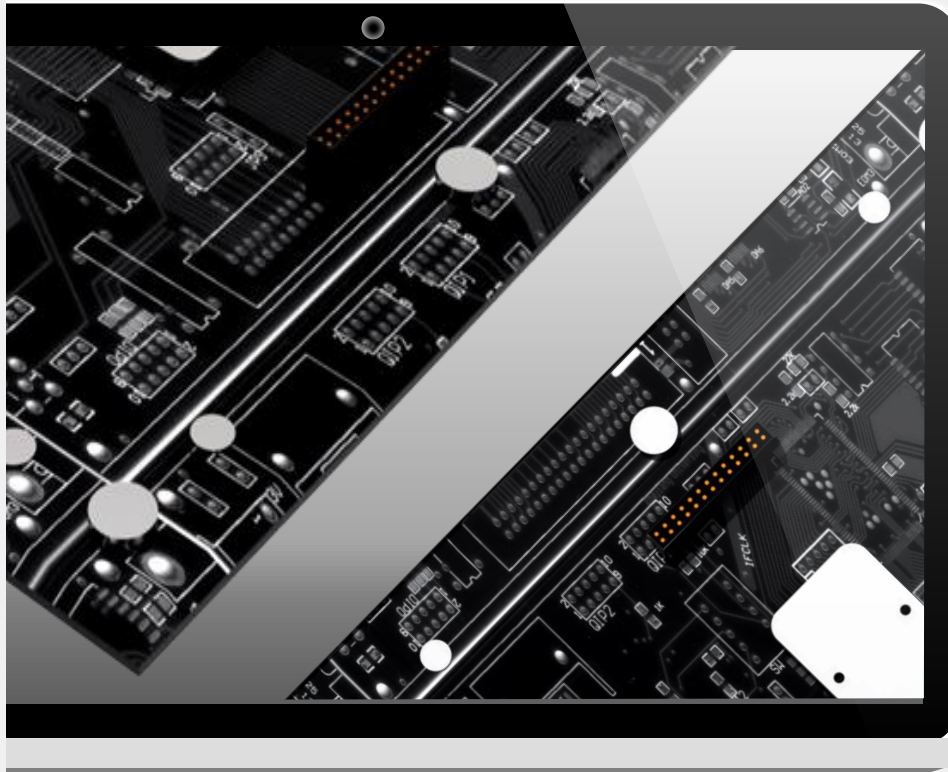
When one receiving card fails to work, another one will still function well, providing sustainable working ability of screen in some key moments and ensuring reliability.

# Product Features

---

## 3.2 PERFORMANCE

### Smart Modules



Smart modules option (with calibration function)

---



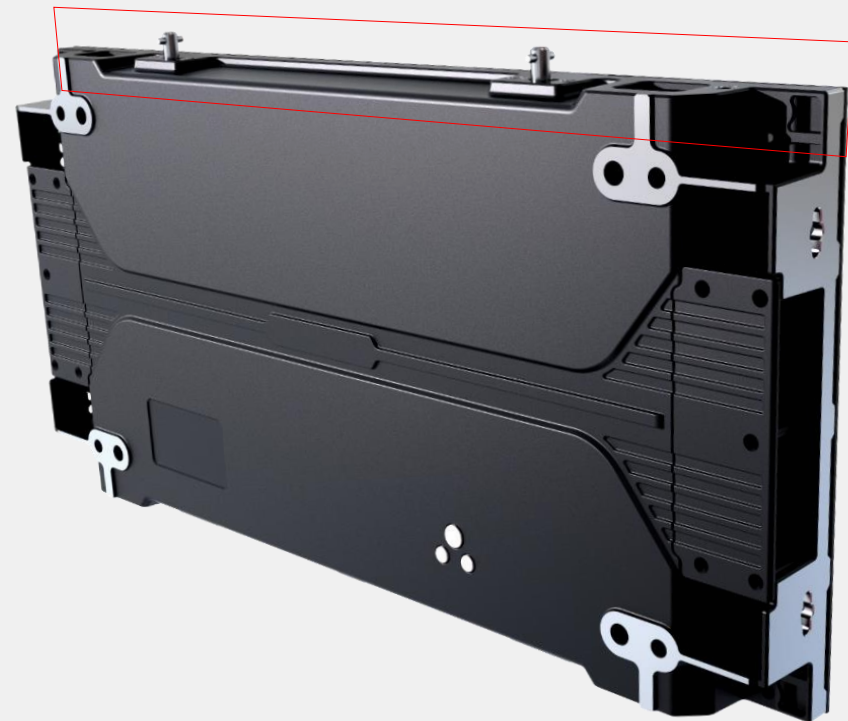
# Product Features

---

## 3.3 STRUCTURE

### Fast Lock Design (optional)

Auto upside and downside locks make operation easier and more convenient, realizing quick installation.



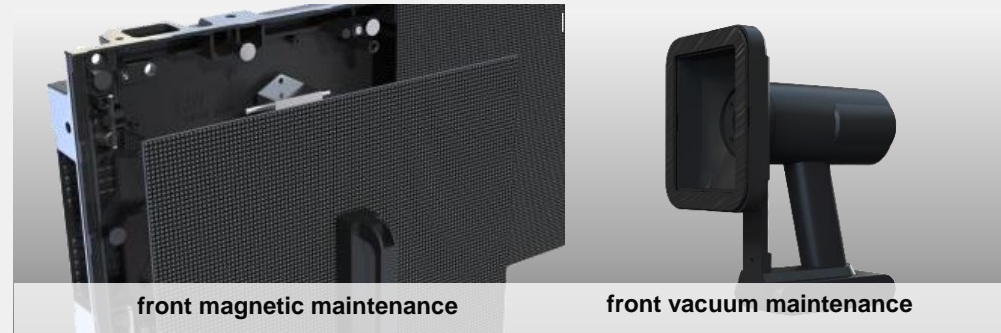
# Product Features

## 3.3 STRUCTURE

### Full Front Maintenance

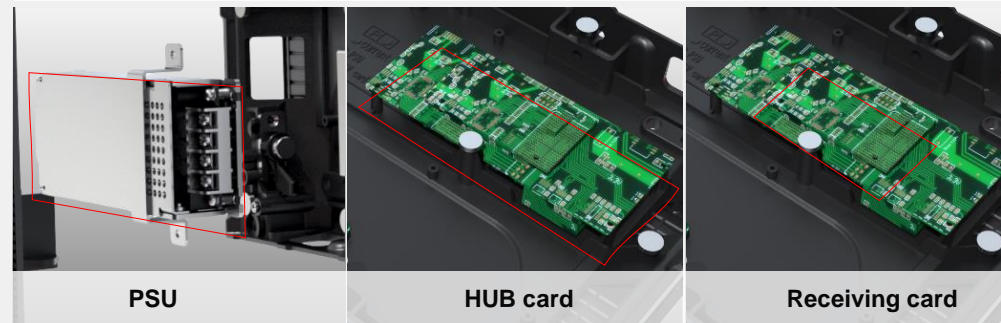
#### Module

front magnetic maintenance +  
front vacuum maintenance



#### Front maintenance

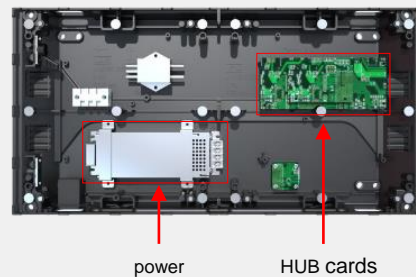
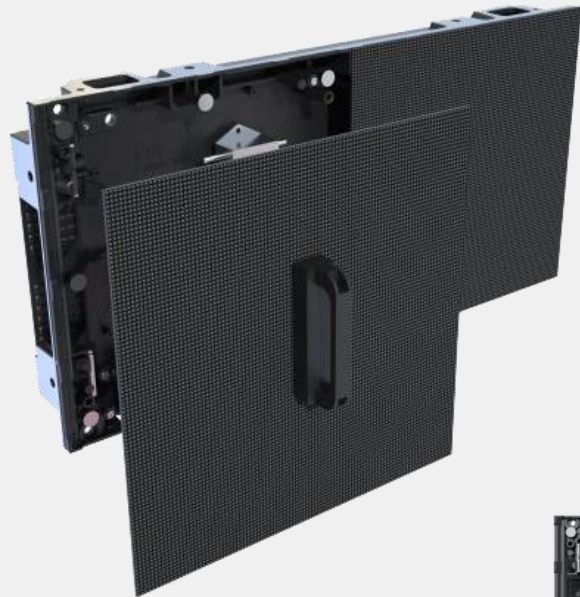
PSU + HUB card + Receiving  
card



# Product Features

## 3.3 STRUCTURE

### Easy Maintenance



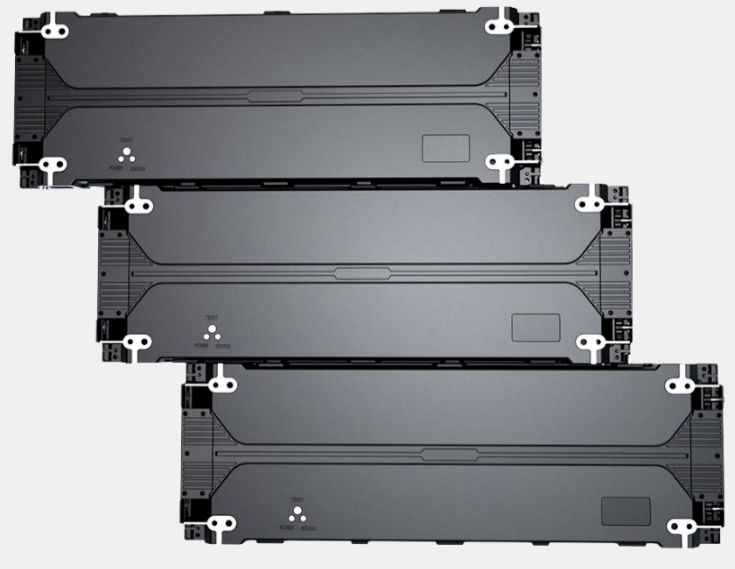
- 01 Modules are designed without back shell
- 02 HUB cards and PSU can be taken down and maintained quickly
- 03 AS long as the two piece corresponding modules are taken down

# Product Features

---

## 3.3 STRUCTURE

### Malposed Combination



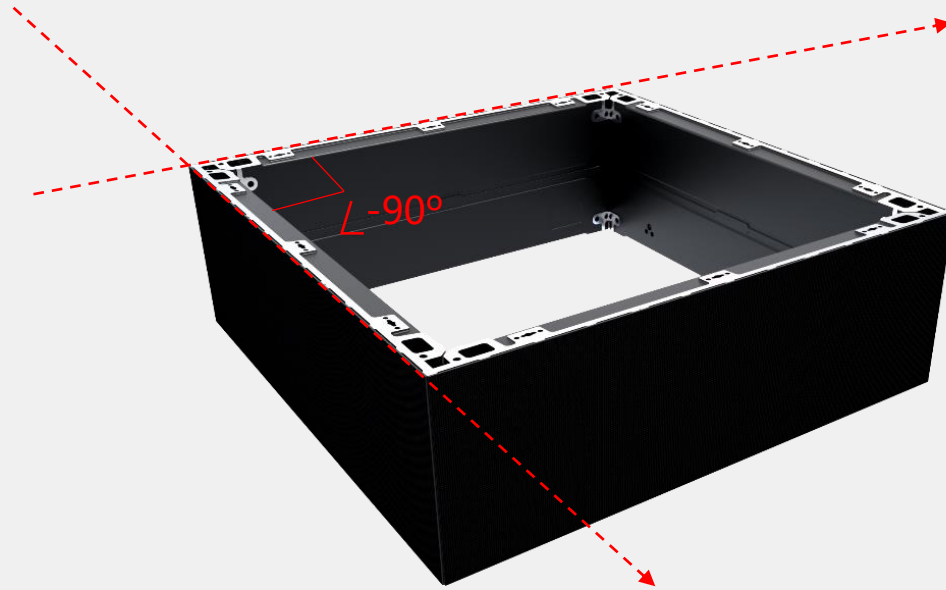
Cabinets can be  
combined malposed



# Product Features

## 3.3 STRUCTURE

Cut-corner Screen & Corner Screen



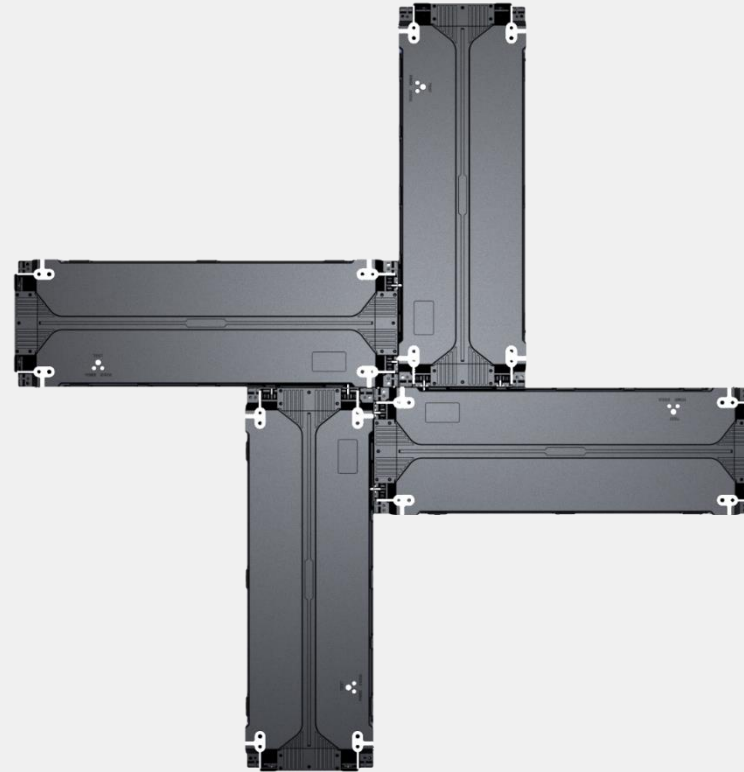
Cabinets can be combined freely to cut-corner and corner  $(-90^\circ \sim 0^\circ)$  screen horizontally

# Product Features

## 3.3 STRUCTURE

### Rotated Combined

- 01 Modules can be rotated and spliced
- 02 The width can be matched at will
- 03 Can spell any size screen



# Product Features

## 3.3 STRUCTURE

Cabinets Can Be Mixed Combined



Cabinets can be mixed combined with **GN-PLUS** to make more multiple appearance



**Product  
Specification**

**04**



# Product Specification

Model	1.5		1.95	
Pixel Configuration	SMD1010		SMD1010	
Pixel matrix per panel	320/480x160	320x320/640	256/384/512x128	256x256/512
Cabinet Dimensions (WxHxD)/ (mm)	500/750x250x48	500x500/1000x48	500/750/1000x250x48	500x500/1000x48
Module Dimensions (WxH)/ (mm)	250x250			
Module weight (kg/panel)	0.5			
Driving Type	1/32		1/32	
Signal Transmission Distance (m)	CAT5 cable: < 100 m; Single mode fiber: < 10 km			
Brightness (nits)	600		600	
Optimal Horizontal Viewing Angle (°)	160		170	
Optimal Vertical Viewing Angle (°)	Up 70/down 75		Up 70/down 70	
AC Input Voltage (V)	AC: 100V ~ 240V			
AC Input Power Maximum Value (W/m <sup>2</sup> )	383		438	
AC Input Power Typical Value (W/m <sup>2</sup> )	128		146	
Storage Temperature (°C)	-40-60			
Working Temperature (°C)	0 -40			
IP rating (Front/Rear)	IP40/IP20			
Working Humidity (RH)	10%~60% non-condensing			
Lifetime Typical Value (hrs)	100000			
Cabinet installation	fix			

# Product Specification

Model	2.6		2.9		3.9	
Pixel Configuration	SMD2020		SMD2020		SMD2020	
Pixel matrix per panel	192/288/384x96	192x192/384	168/252/336x84	168x168/336	128/192/256x64	128x128/256
Cabinet Dimensions (WxHxD)/ (mm)	500/750/1000x250x48	500x500/1000x48	500/750/1000x250x48	500x500/1000x48	500/750/1000x250x48	500x500/1000x48
Module Dimensions (WxH)/ (mm)	250x250					
Module weight (kg/panel)	0.5					
Driving Type	1/24		1/21		1/16	
Signal Transmission Distance (m)	CAT5 cable: < 100 m;					
	Single mode fiber: < 10 km					
Brightness (nits)	900					
Optimal Horizontal Viewing Angle (°)	150		145		160	
Optimal Vertical Viewing Angle (°)	Up 50/down 60		Up 55/down 55		Up:55/down:55	
AC Input Voltage (V)	AC: 100V ~ 240V					
AC Input Power Maximum Value (W/m <sup>2</sup> )	478		420		438	
AC Input Power Typical Value (W/m <sup>2</sup> )	160		140		146	
Storage Temperature (°C)	-40-60					
Working Temperature (°C)	0 -40					
IP rating (Front/Rear)	IP40/IP20					
Working Humidity (RH)	10%~60% non-condensing					
Lifetime Typical Value (hrs)	100000					
Cabinet installation	fix					



### Head office

Tel : +86 - 755 - 27653939

Fax : +86 - 755 - 27653206

E-mail : [obu@lampro.net](mailto:obu@lampro.net)

Add : 6 Lanjing North Road, Pingshan District,  
Shenzhen 518118 China

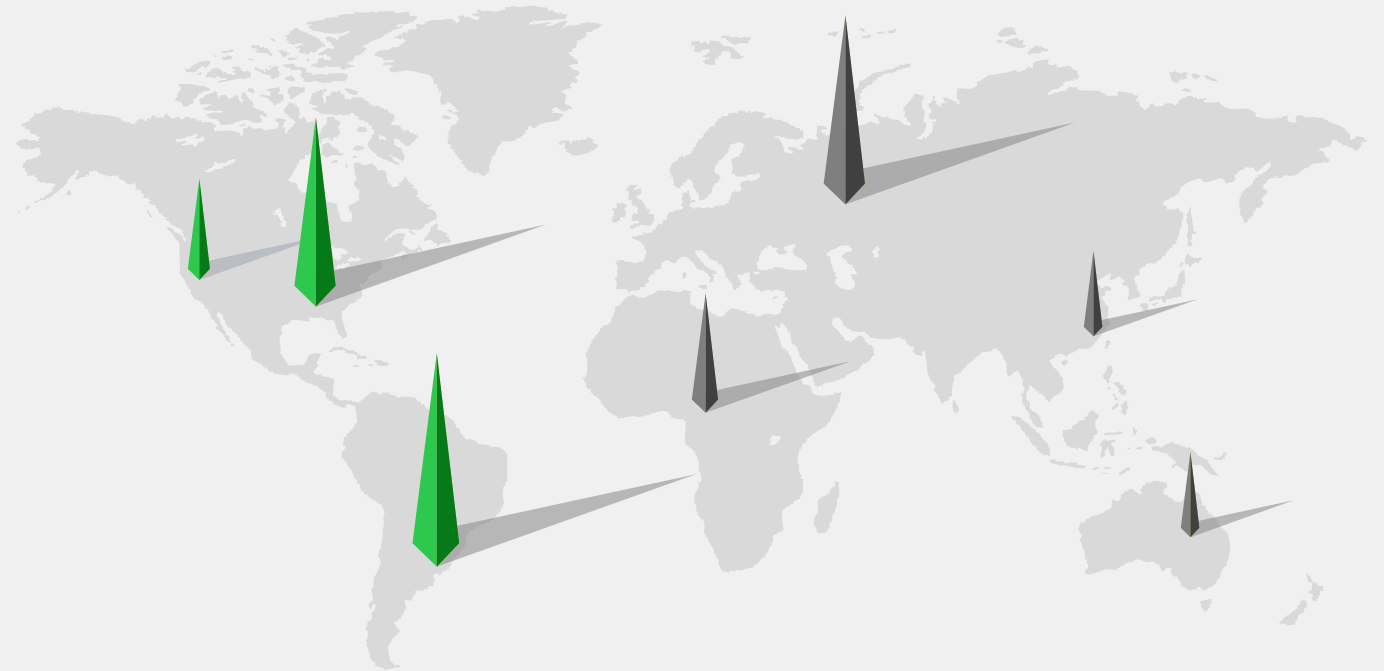
WEB: <http://www.lampro.net/>



### Head of sales

Contacto: lawrence

E-mail : [lawrence@lampro.net](mailto:lawrence@lampro.net)



Website



LinkedIn



YouTube



Facebook

**Thank you for  
watching**